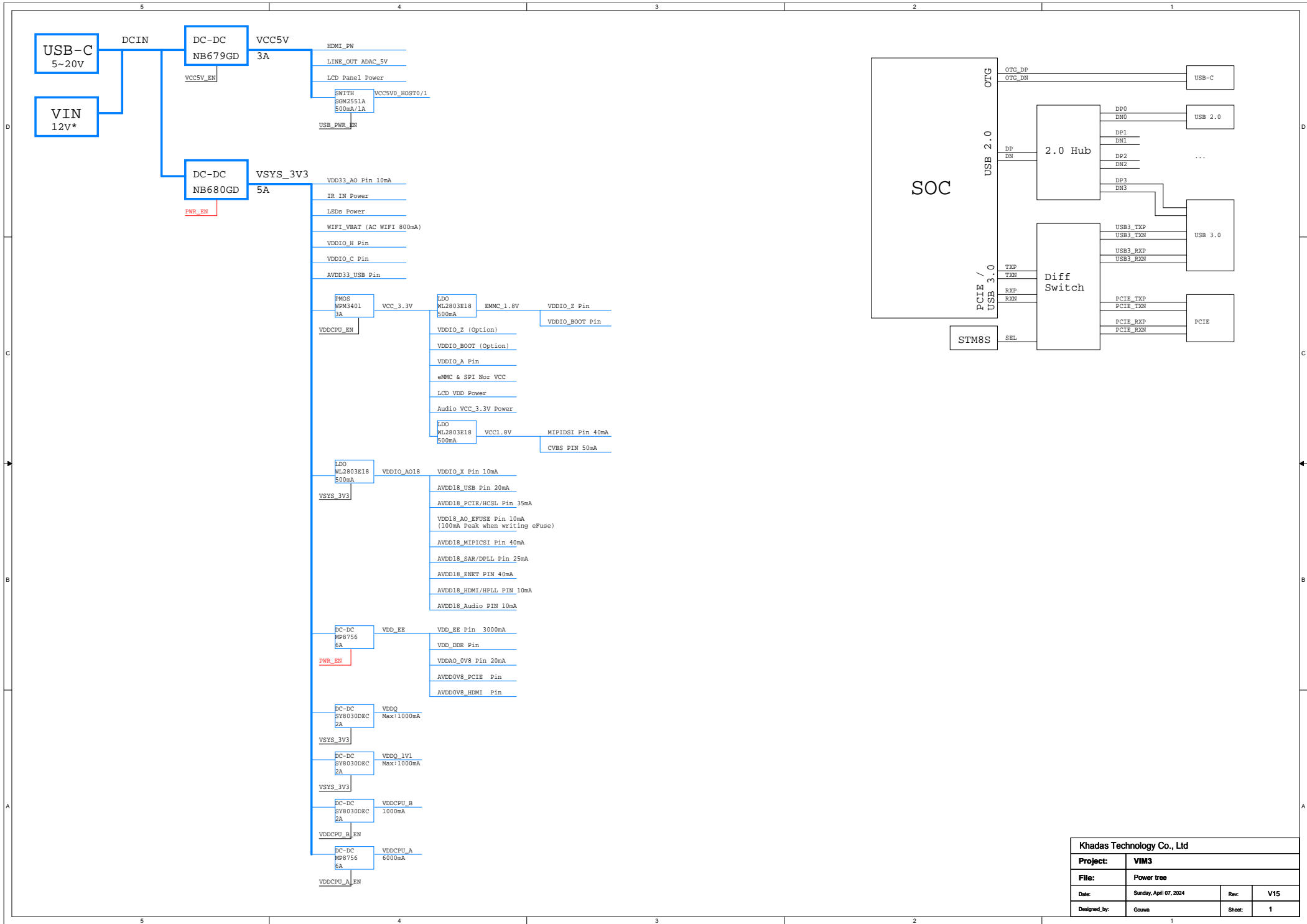




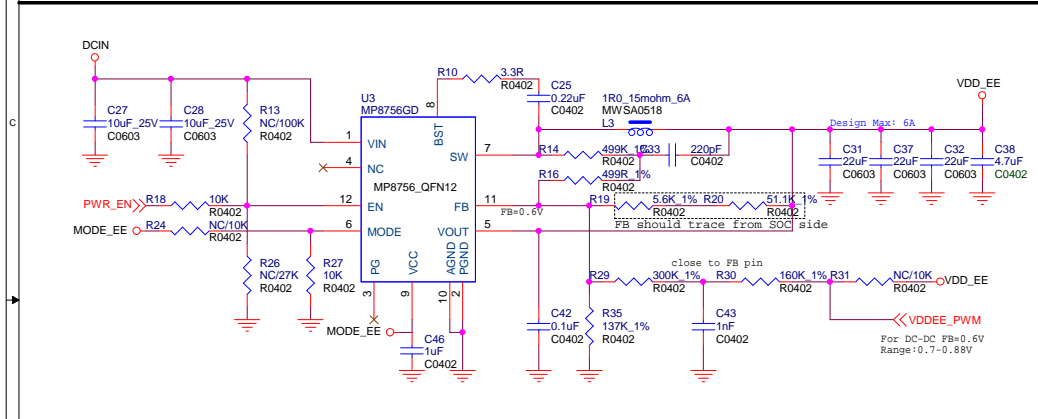
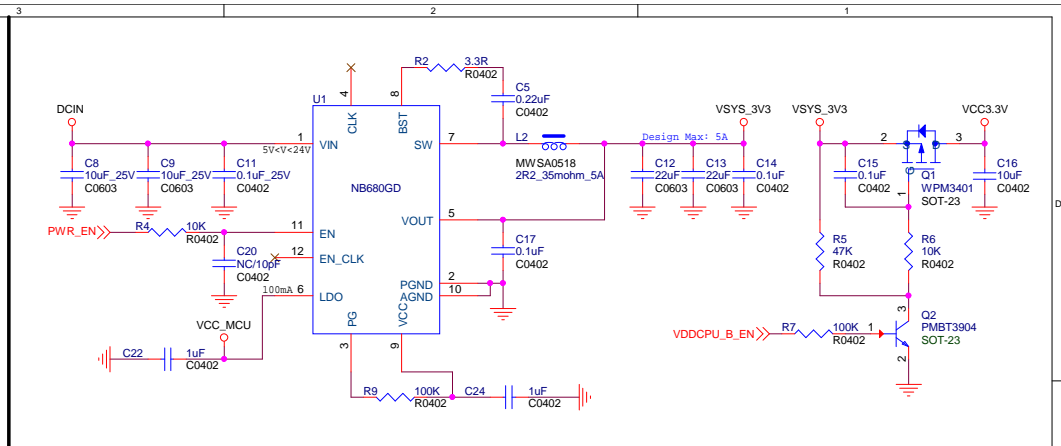
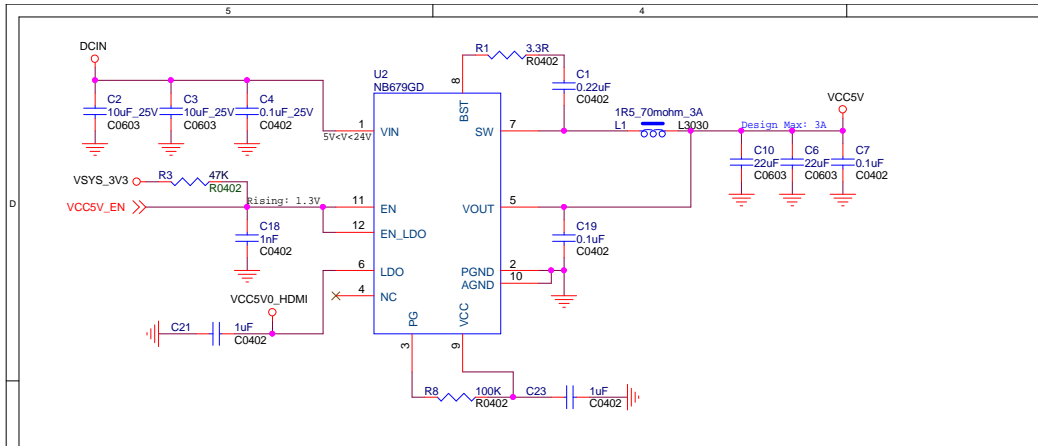
KHADASS

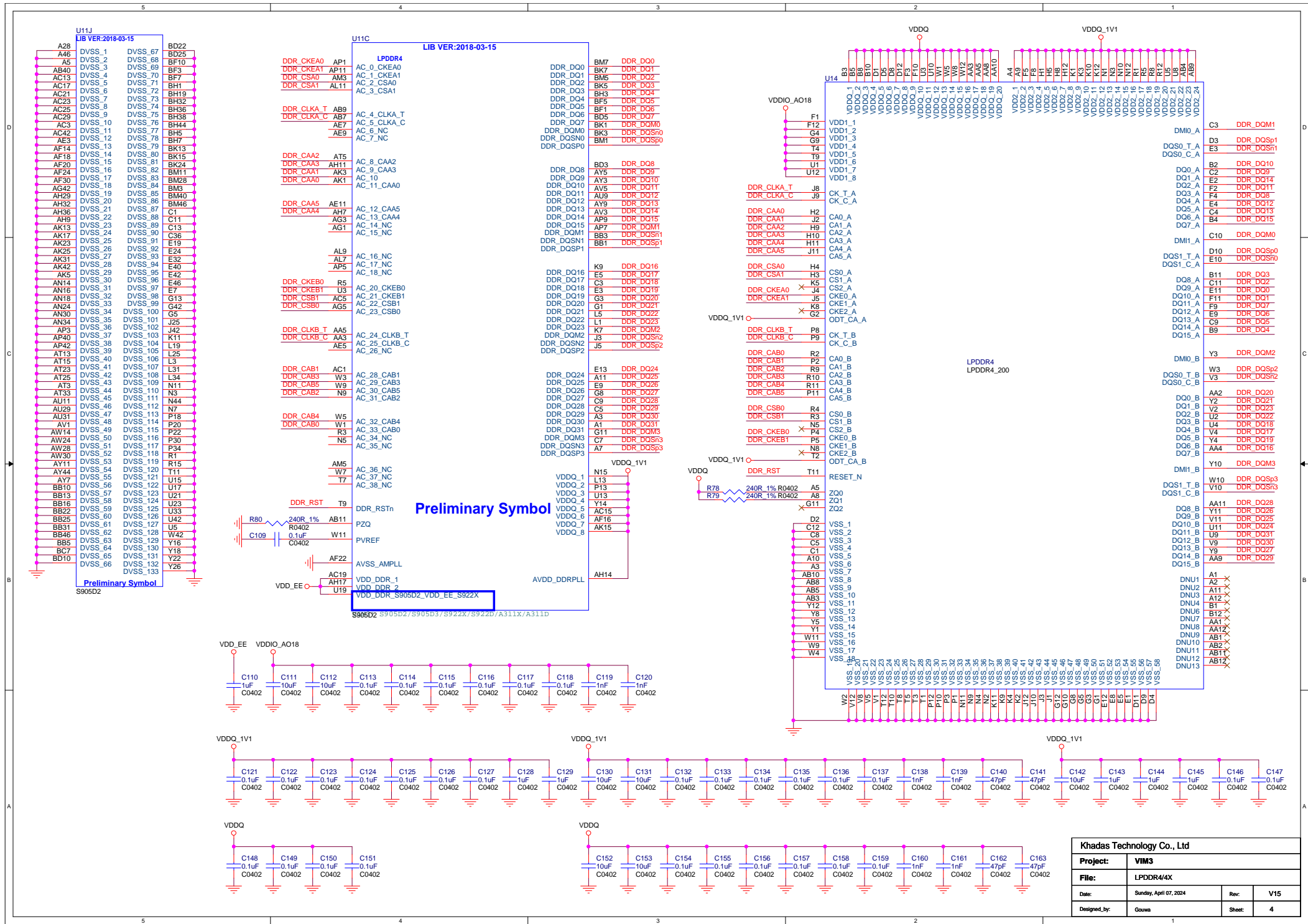
Something a little different.

| | | | |
|-----------------------------|------------------------|--------|-----|
| Khadass Technology Co., Ltd | | | |
| Project: | VIM3 | | |
| File: | Khadass | | |
| Date: | Sunday, April 07, 2024 | Rev: | V15 |
| Designed_by: | Gouwa | Sheet: | 0 |

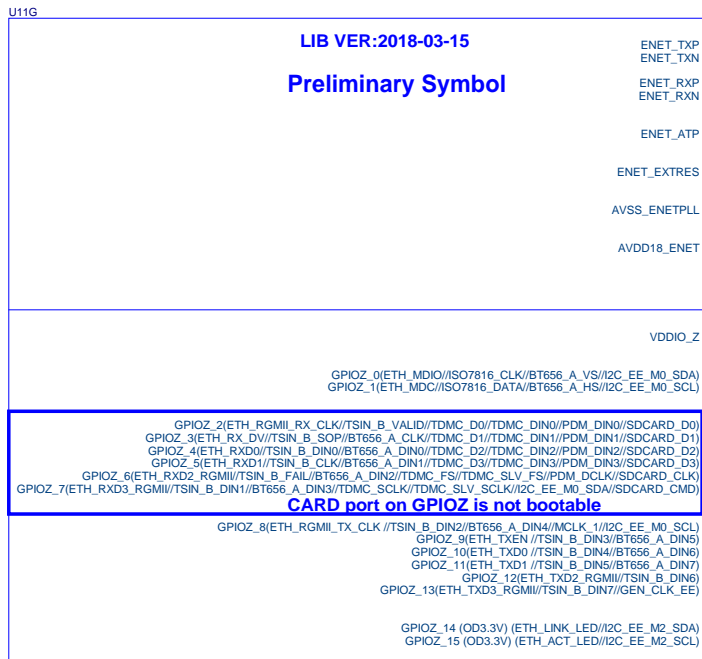


| | | | |
|-----------------------------|------------------------|--------|-----|
| Khadass Technology Co., Ltd | | | |
| Project: | VIM3 | | |
| File: | Power tree | | |
| Date: | Sunday, April 07, 2024 | Rev: | V15 |
| Designed_by: | Gowda | Sheet: | 1 |

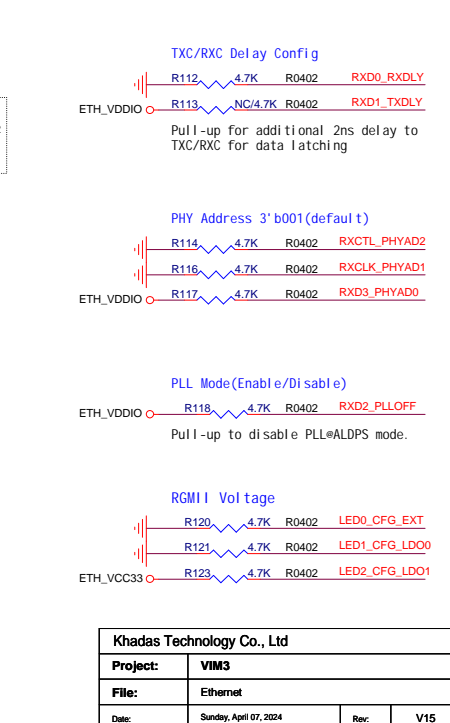
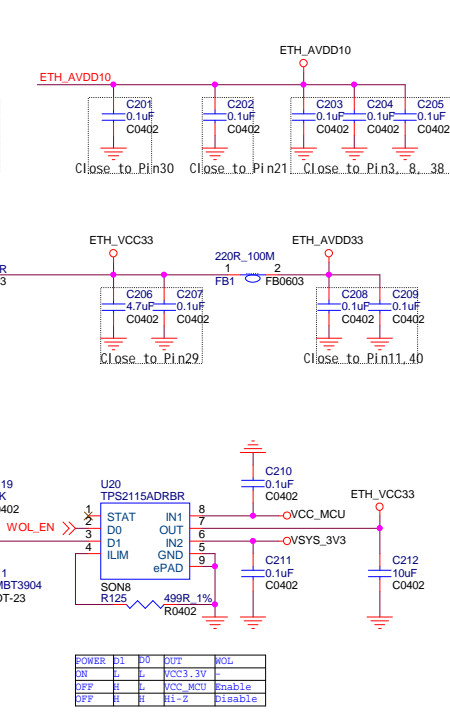
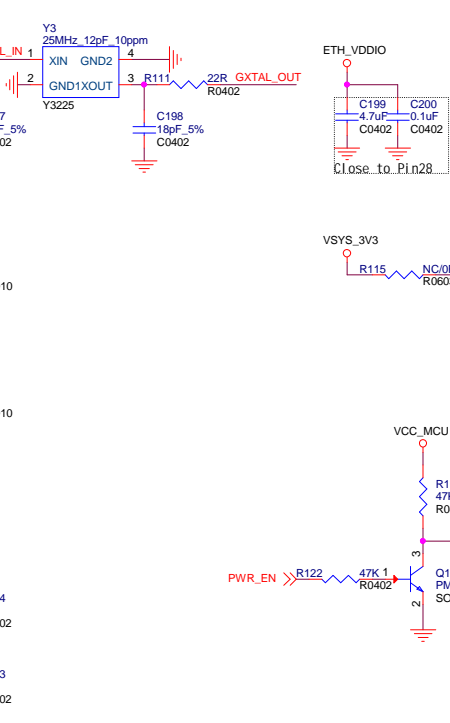
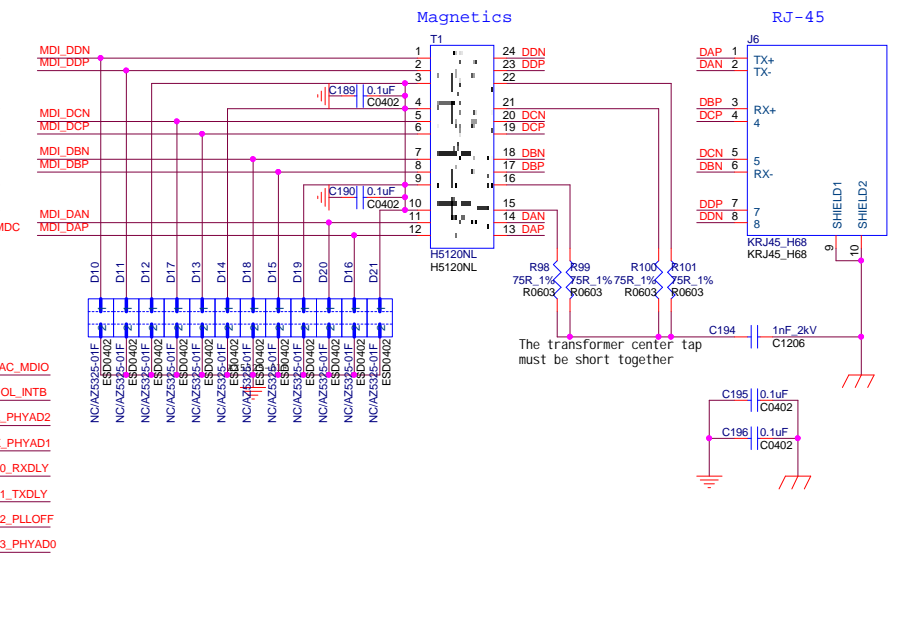
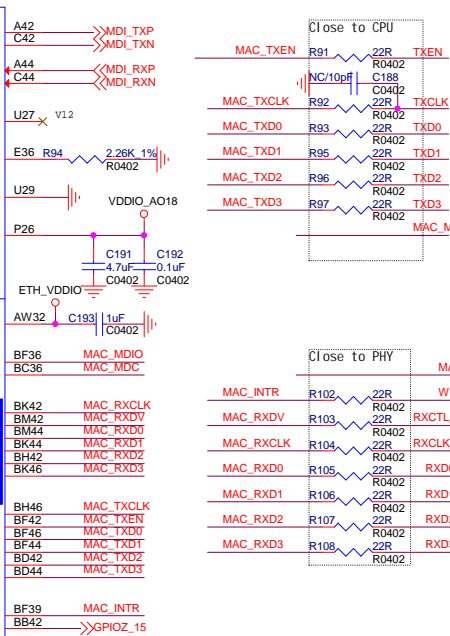
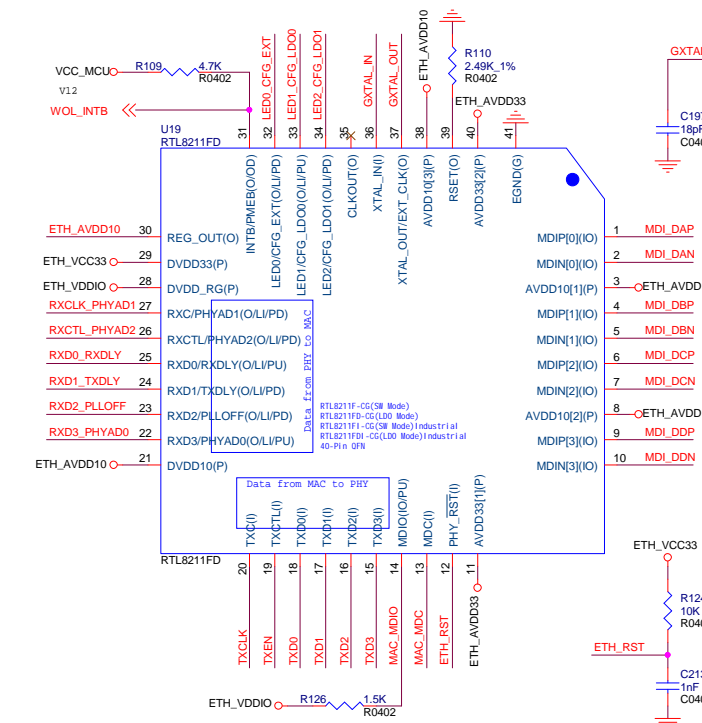




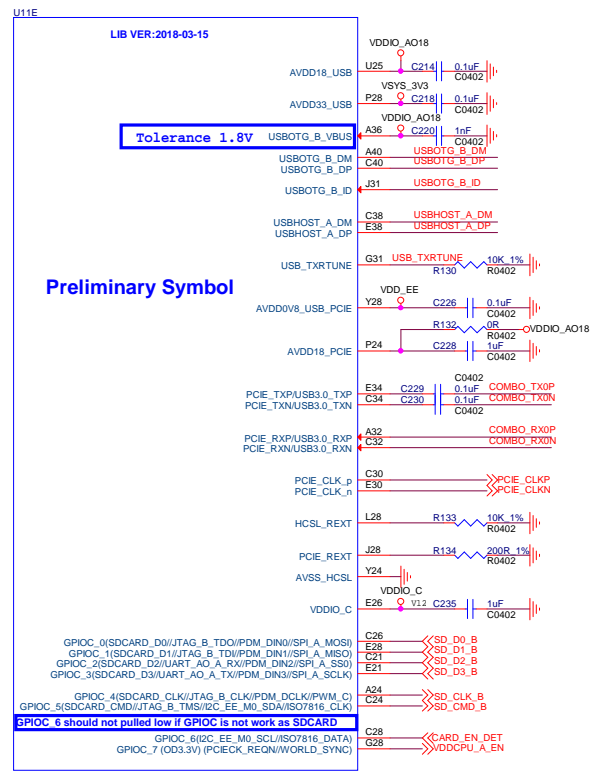
| | | | |
|-----------------------------|------------------------|--------|-----|
| Khadass Technology Co., Ltd | | | |
| Project: | VIM3 | | |
| File: | LPDDR4/4X | | |
| Date: | Sunday, April 07, 2024 | Rev: | V15 |
| Designed_by: | Gowda | Sheet: | 4 |



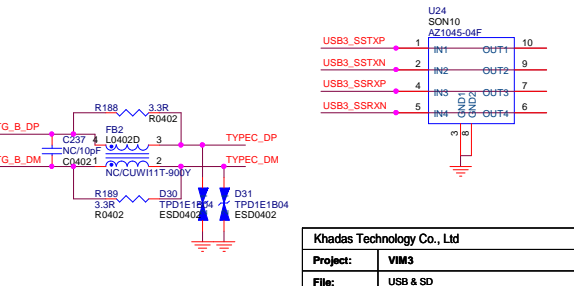
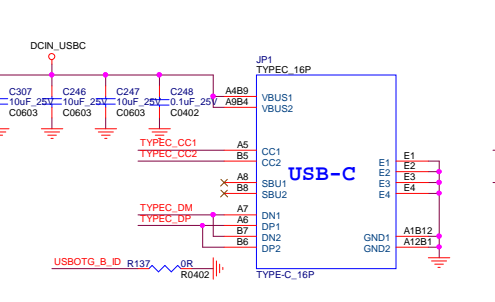
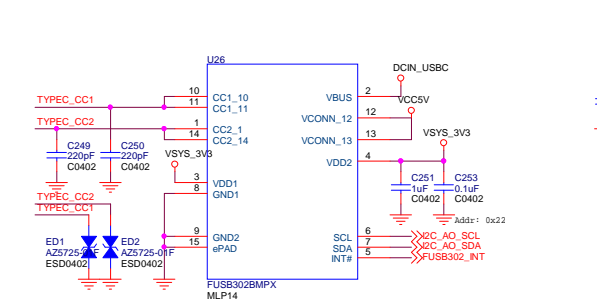
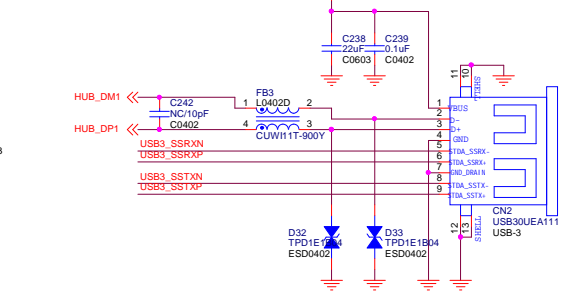
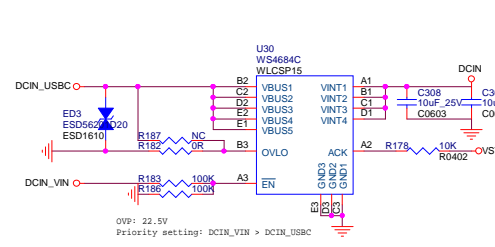
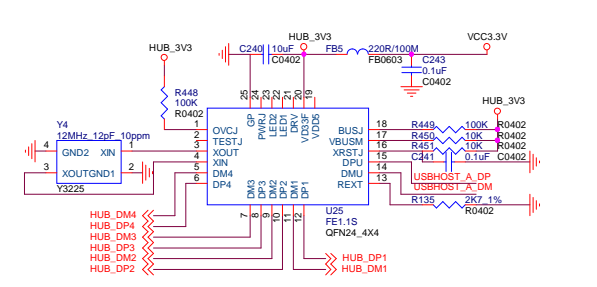
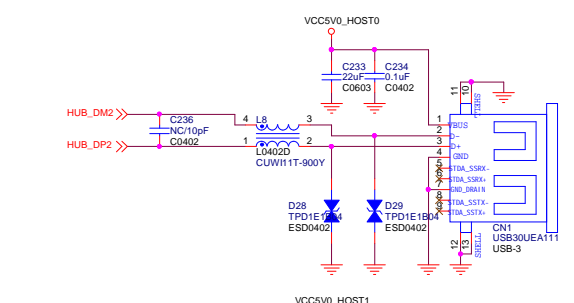
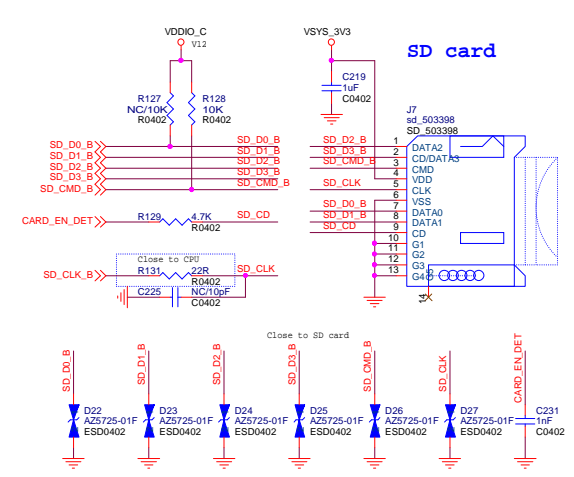
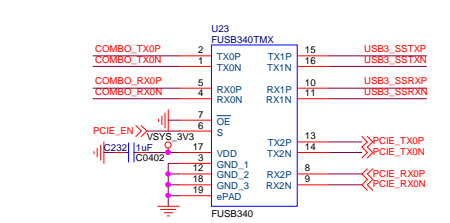
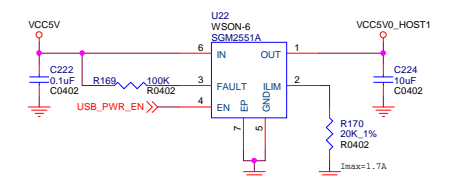
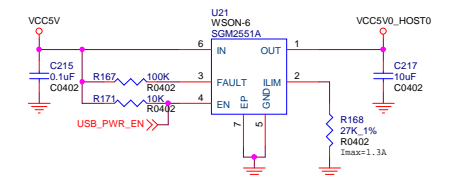
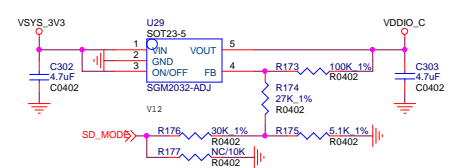
S906D2 S905D2/S905D3/S922X/S922D/A311X/A311D
A311D



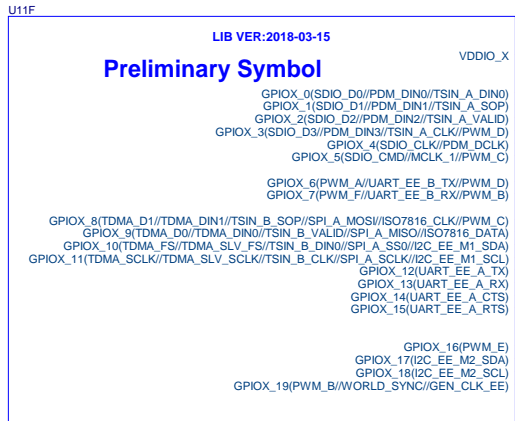
| | | | |
|------------------------------------|------------------------|---------------|-----|
| Khadass Technology Co., Ltd | | | |
| Project: | VIM3 | | |
| File: | Ethernet | | |
| Date: | Sunday, April 07, 2024 | Rev: | V15 |
| Designed_by: | Gowda | Sheet: | 6 |



S806D2 S905D2/S922X/S922D/A311X/A311D

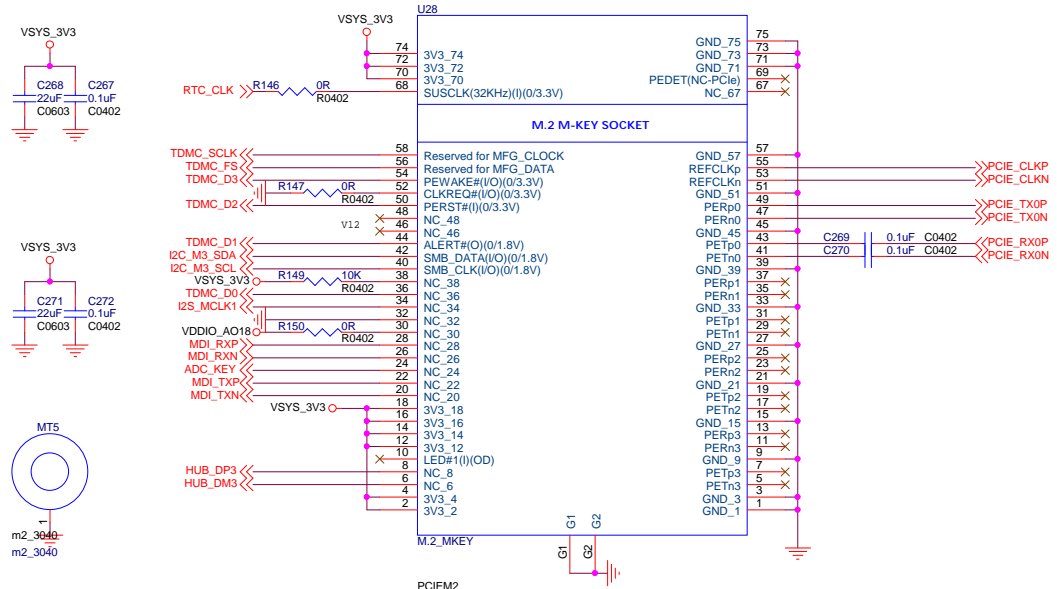
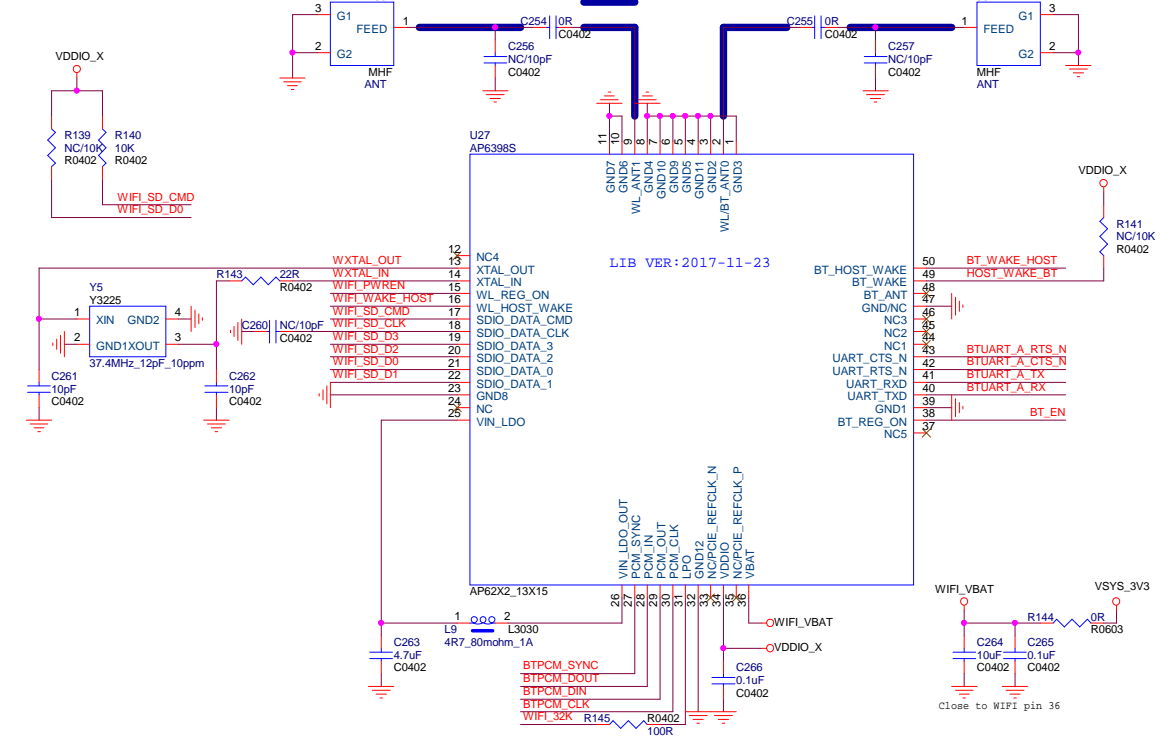


| | | | |
|-----------------------------|------------------------|--------|-----|
| Khadass Technology Co., Ltd | | | |
| Project: | VIM3 | | |
| File: | USB & SD | | |
| Date: | Sunday, April 07, 2024 | Rev: | V15 |
| Designed_by: | Goums | Sheet: | 7 |



S905D2 S905D2/S905D3/S922X/S922D/A311X/A311D
 A311D

WiFi & BT ANT **50 ohm impedance RF trace** **WiFi & BT ANT**



| | | | |
|-----------------------------------|---------------------------------|---------------|------------|
| Khadas Technology Co., Ltd | | | |
| Project: | VIM3 | | |
| File: | WiFi & BT & PCIE | | |
| Date: | Sunday, April 07, 2024 | Rev: | V15 |
| Designed_by: | Gouwu | Sheet: | 8 |

U11D

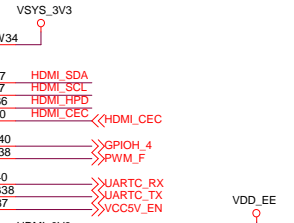
LIB VER:2018-03-15

VDDIO_H

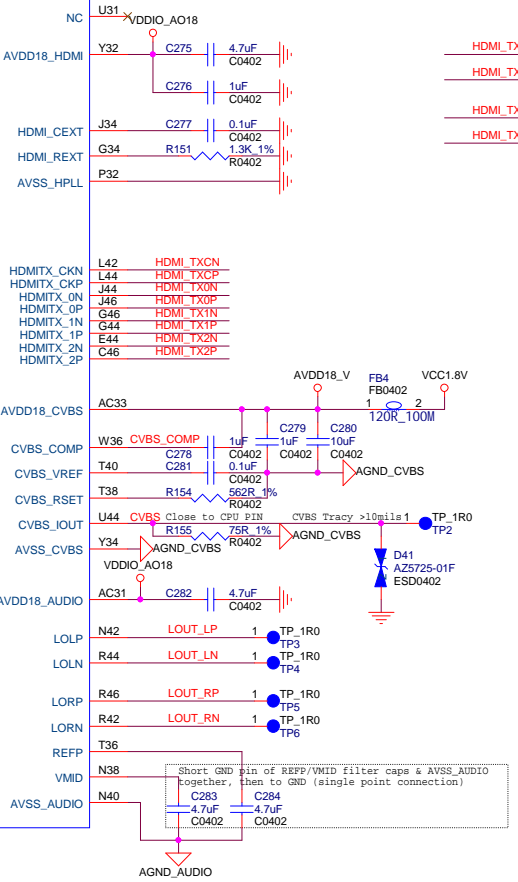
GPIOH_0 (OD5V) (HDMITX_SDA/I2C_EE_M3_SDA)
 GPIOH_1 (OD5V) (HDMITX_SCL/I2C_EE_M3_SCL)
 GPIOH_2 (OD5V) (HDMITX_HPD_IN/I2C_EE_M1_SDA)
 GPIOH_3 (OD5V) (I2C_EE_M1_SCL/AO_CEC_A/AO_CEC_B)

GPIOH_4 (SPDIF_OUT/UART_EE_C_RTS/SPI_B_MOSI)
 GPIOH_5 (SPDIF_IN/UART_EE_C_CTS/SPI_B_MISO/PWM_FI/TDMB_D3/TDMB_DINS)

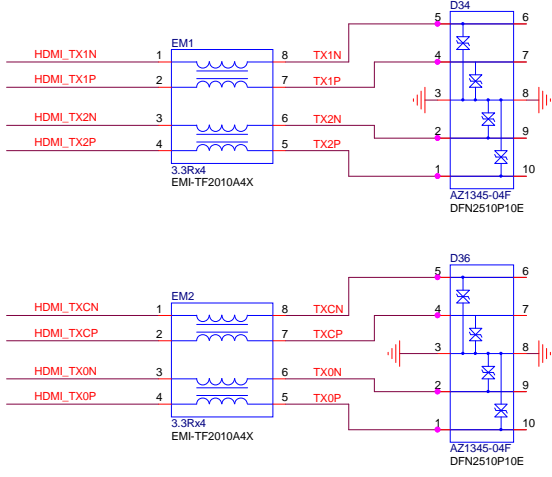
GPIOH_6 (ISO7816_CLK/UART_EE_C_RX/SPI_B_SS0/I2C_EE_M1_SDA)
 GPIOH_7 (ISO7816_DATA/UART_EE_C_TX/SPI_B_SCLK/I2C_EE_M1_SCL)
 GPIOH_8 (OD5V)



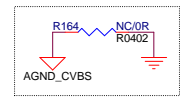
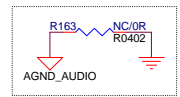
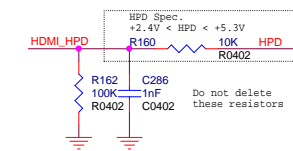
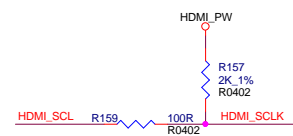
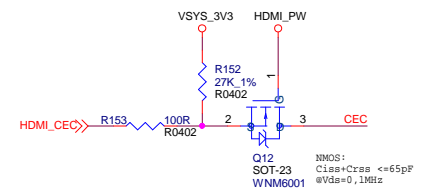
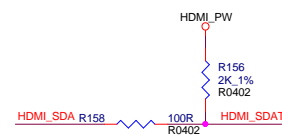
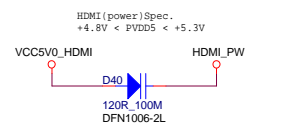
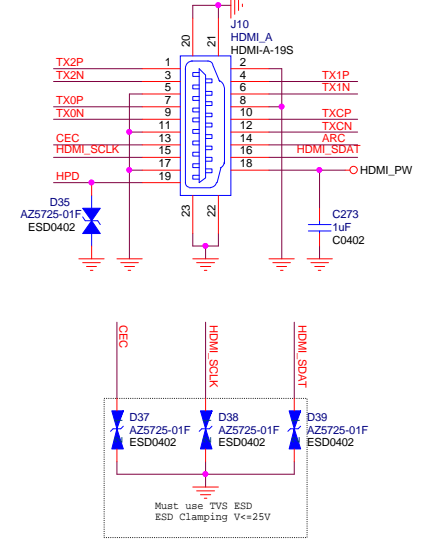
Preliminary Symbol



HDMI output

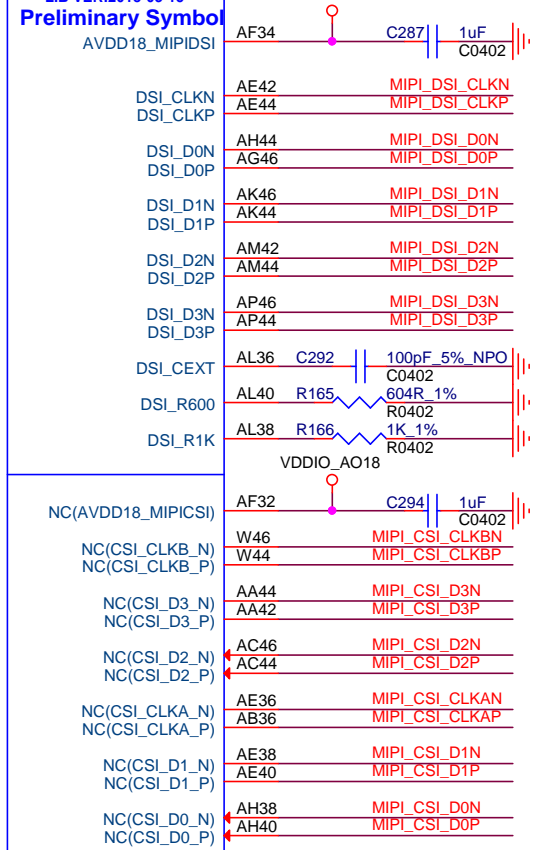


Type A

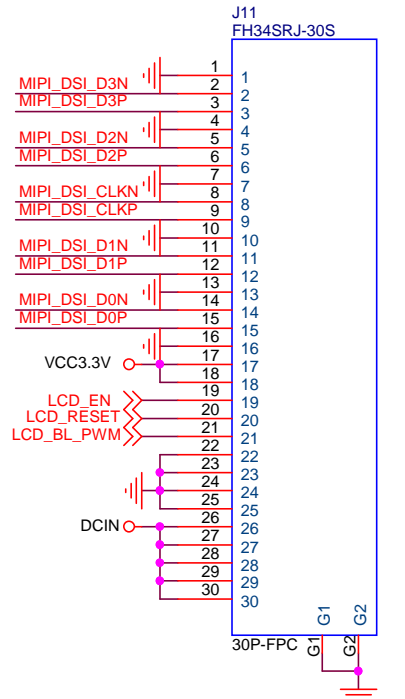
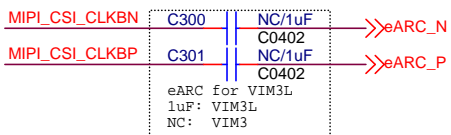


| Khas Technology Co., Ltd | | | |
|--------------------------|------------------------|--------|-----|
| Project: | VIM3 | | |
| File: | HDMI & CVBS | | |
| Date: | Sunday, April 07, 2024 | Rev: | V15 |
| Designed_by: | Gowda | Sheet: | 9 |

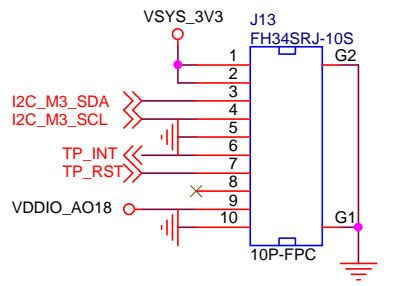
U11H
LIB VER:2018-03-15
Preliminary Symbol



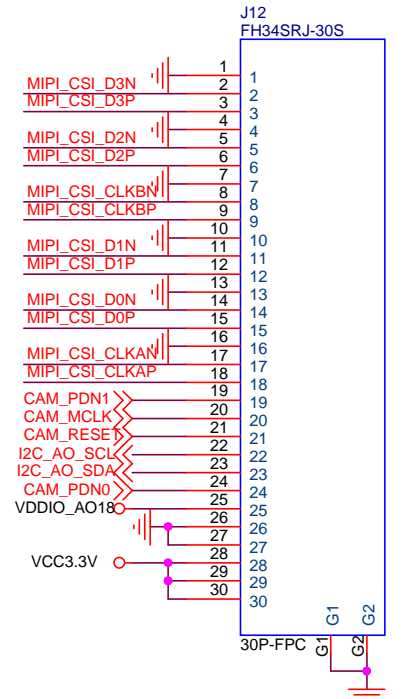
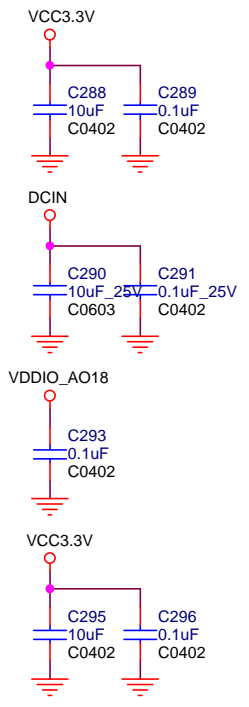
S905D2 S905D2/S905D3
A311D S922X/S922D/
A311X/A311D



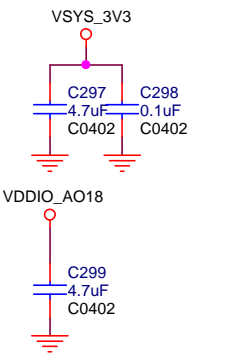
MIPI-DSI



TP



Camera0



| | | | |
|----------------------------|------------------------|--------|-----|
| Khadax Technology Co., Ltd | | | |
| Project: | VIM3 | | |
| File: | MIPI | | |
| Date: | Sunday, April 07, 2024 | Rev: | V15 |
| Designed_by: | Gouwa | Sheet: | 10 |