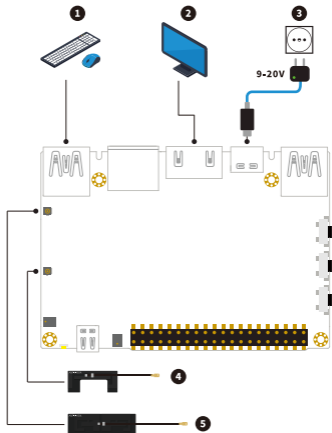


KHADAS

VIM4 Quickstart Guide

## Setup



## OOWOW Introduction

- VIM4 comes with the OOWOW embedded service.
- Use OOWOW to install your preferred OS directly from the Cloud.

- OOWOW will start automatically if the device storage is empty.
- Control VIM4 with a display and keyboard, or remotely over WiFi/LAN.
- With OOWOW you will always be in control of your VIM4.

Activate OOWOW: hold **Function** and press **Reset**

Activate Hotspot: press **Function** after OOWOW starts

Network Name: vim4-xxxxx (last 5 digits of serial no.)

Further information: <https://docs.khadas.com/oowow>

## Website Introduction

- For more documentation and technical information, you can visit [docs.khadas.com](https://docs.khadas.com).
- If you encounter technical issues during development, seek help at [forum.khadas.com](https://forum.khadas.com).
- To purchase additional accessories, please visit [shop.khadas.com](https://shop.khadas.com).

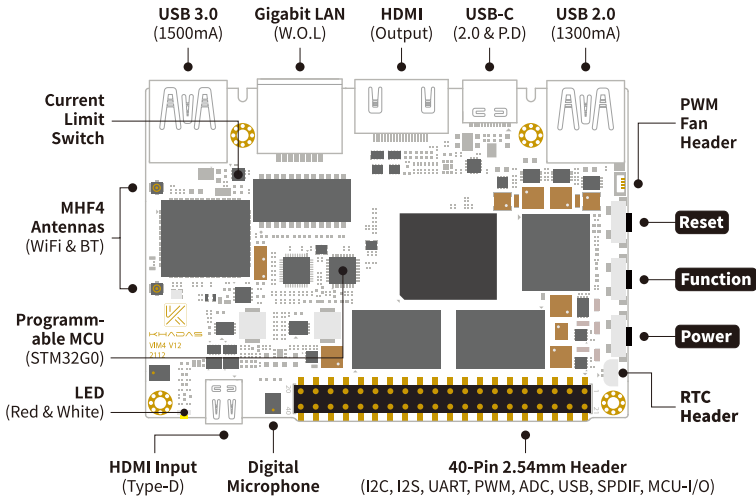
## Data Download Instruction

- Schematics: [dl.khadas.com/products/vim4/schematic/](https://dl.khadas.com/products/vim4/schematic/)
- Datasheets: [dl.khadas.com/products/vim4/datasheet/](https://dl.khadas.com/products/vim4/datasheet/)
- Specification: [dl.khadas.com/products/vim4/specs/](https://dl.khadas.com/products/vim4/specs/)
- 2D DXF: [dl.khadas.com/products/vim4/dxf/](https://dl.khadas.com/products/vim4/dxf/)
- 3D CAD: [dl.khadas.com/products/vim4/cad/](https://dl.khadas.com/products/vim4/cad/)

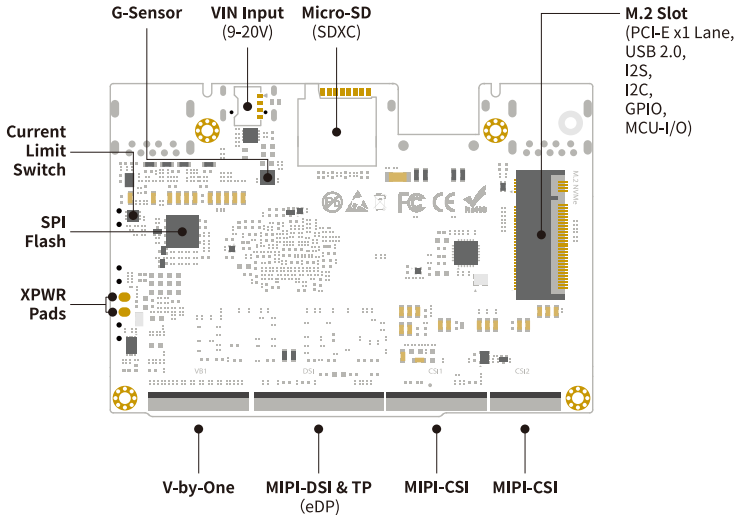
## After-Sales Service

Please email [support@khadas.com](mailto:support@khadas.com) if you have any after-sales related questions.

# Interfaces



## Interfaces





To get started, visit  
[docs.khadas.com/vim4](https://docs.khadas.com/vim4)