

Khadas.com
Something a little different.

Shenzhen Wesion Technology Co., Ltd.

Project:	VIM2		
File:	Khadas		
Date:	Saturday, July 29, 2017	Rev:	V1.2
Designed by:	Gouwa	Sheet:	1 of 10

Index:

00 Khadas
 01 Power Timings
 P01 POWER
 P02 CPU & IR & KEYS
 P03 DDR4
 P04 EMMC
 P05 Ethernet
 P06 USB & SDCard
 P07 WIFI & BT
 P08 HDMI

MCU (U12) Usage:

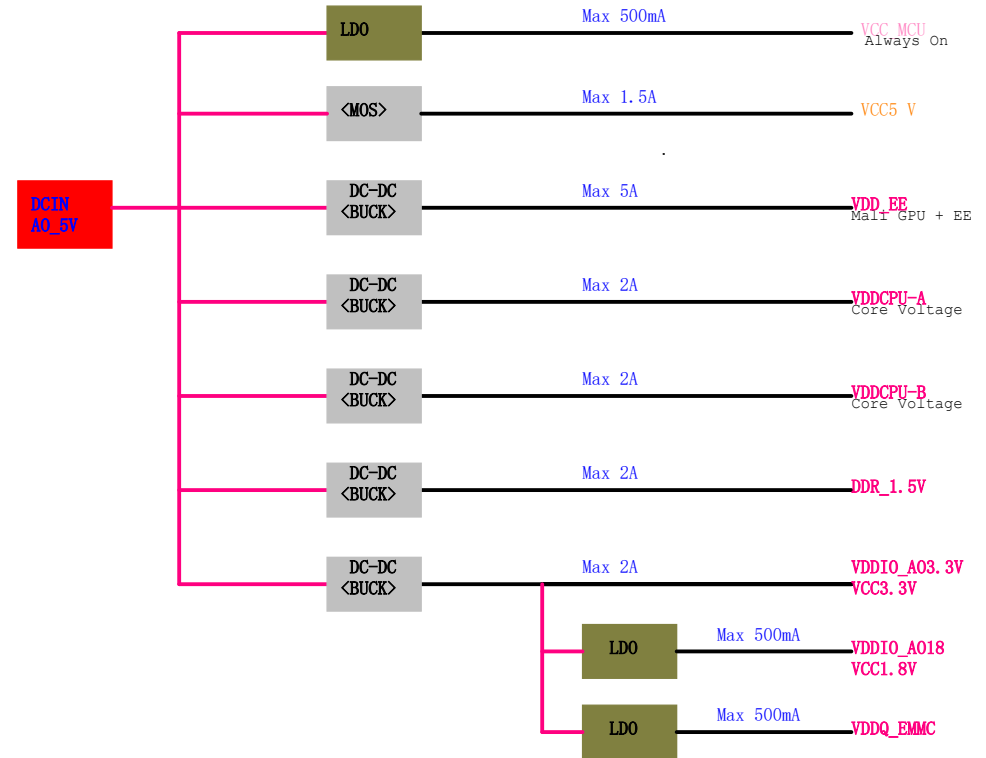
Power ON Sources:

- 1) Power Key
- 2) RTC Timer
- 3) IR Remote
- 4) WOL Events
- 5) Expand Board INT
- 6) DCIN

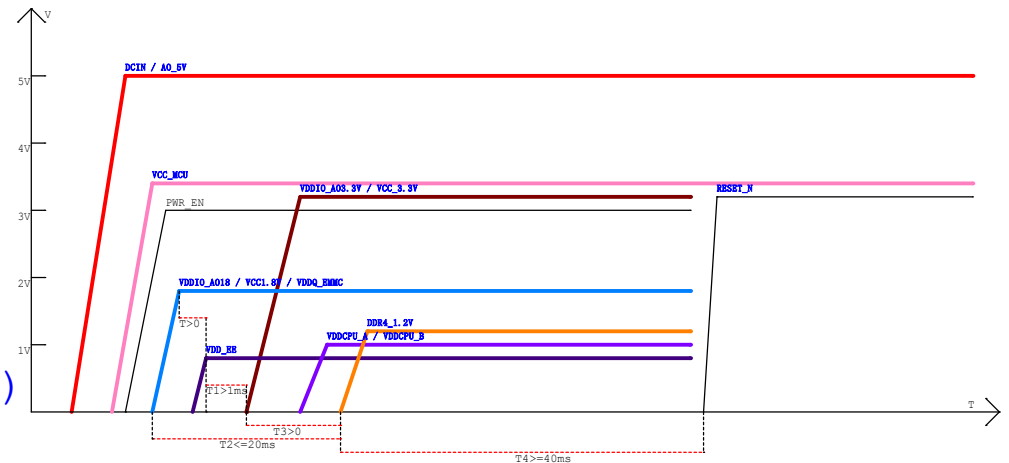
Please visit <http://docs.khadas.com>
 for further details:

- 1) KBI (Khadas Bootloader Instructions)
- 2) EEPROM Usage
- 3) ADC for Expand Boards Detection
- 4) STM8S003F3

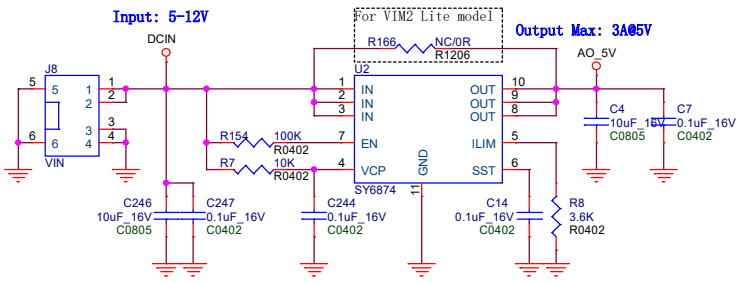
Power Tree



Power On Sequence :



Shenzhen Wesion Technology Co., Ltd.			
Project:	VIM2		
File:	Power tree & timings		
Date:	Saturday, July 29, 2017	Rev:	V1.2
Designed by:	Gouwa	Sheet:	2 of 10

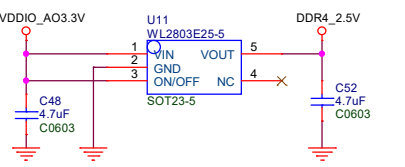
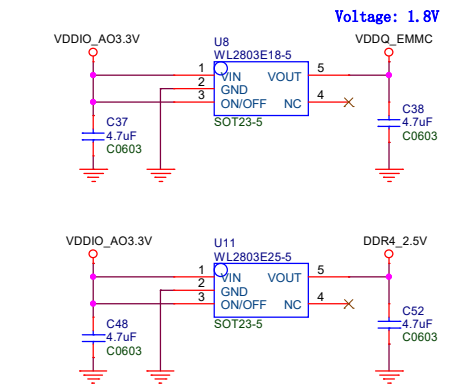
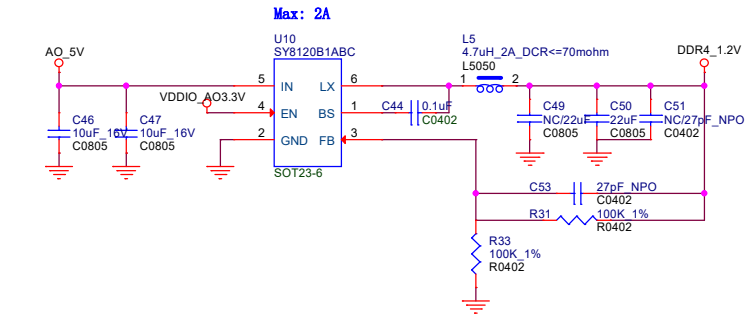
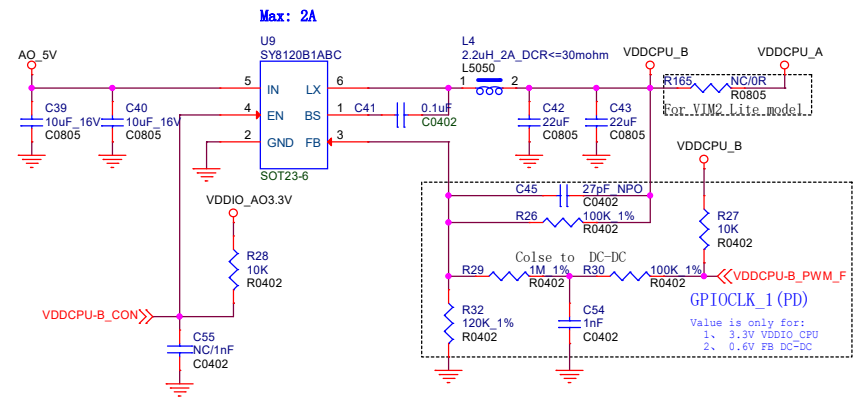
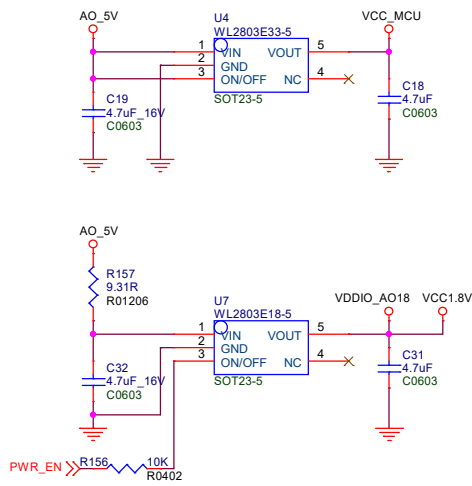
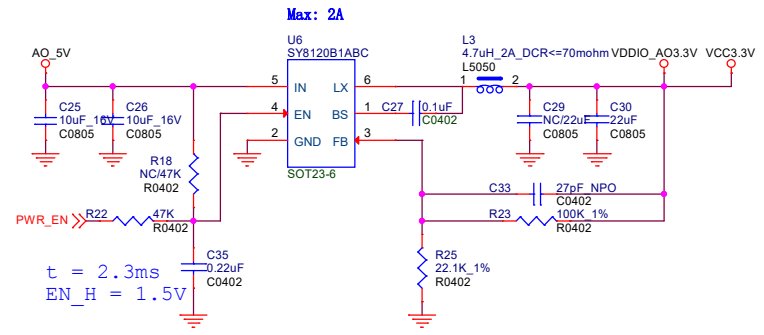
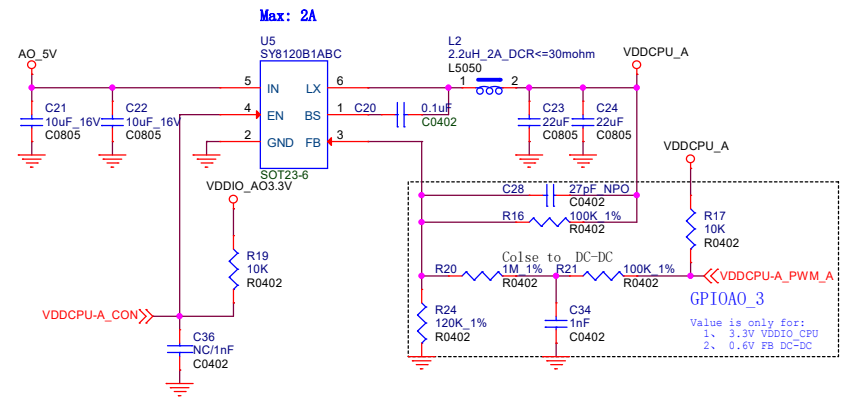
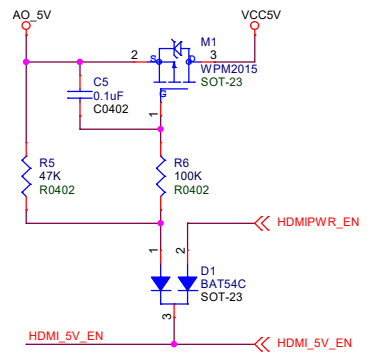
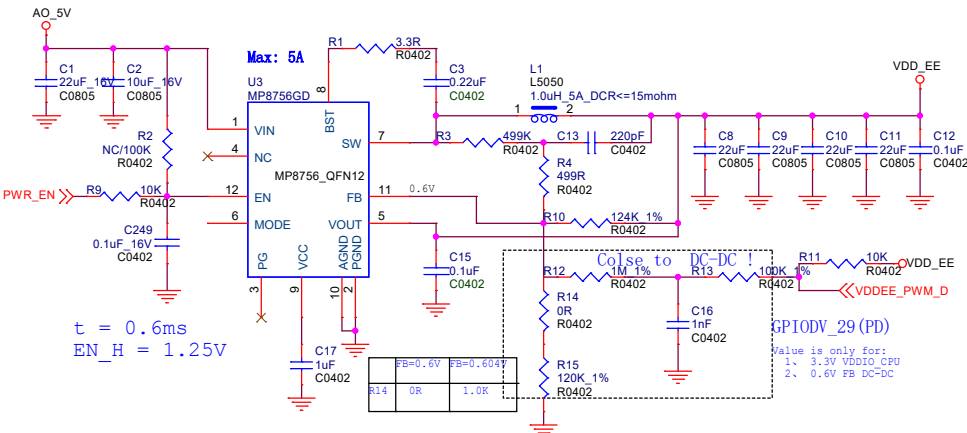


- System Power Sources:**
1. USB-C Connector (J9)
 2. VIN Header (J8)
 3. VIN Pads for Pogo Pin (J16)

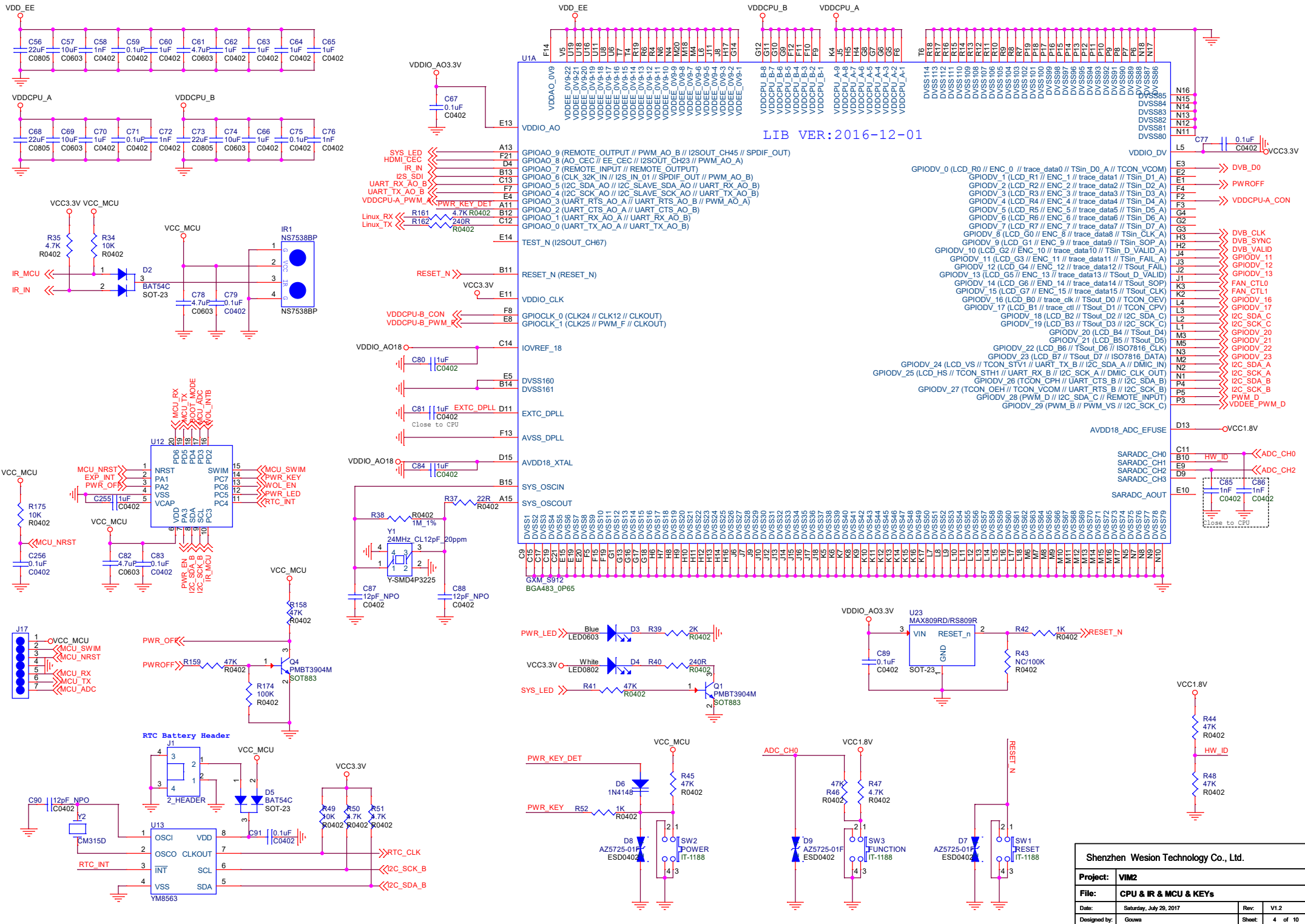
Output Current Limit Program Table

Current Limit Resistance	1.1K	1.5K	2.0K	2.5K	3.0K	3.6K	4.0K
Output Current Limit	1.0A	2.0A	2.5A	3.0A	3.5A	3.6A	4.0A

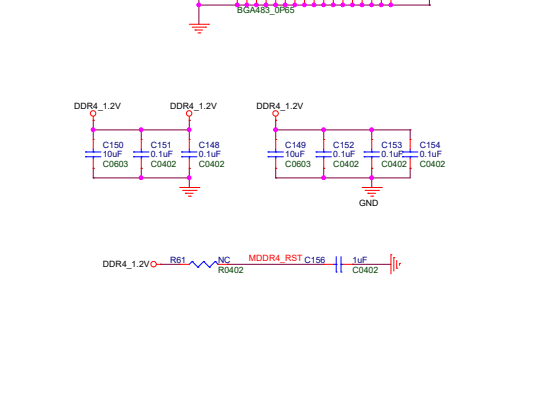
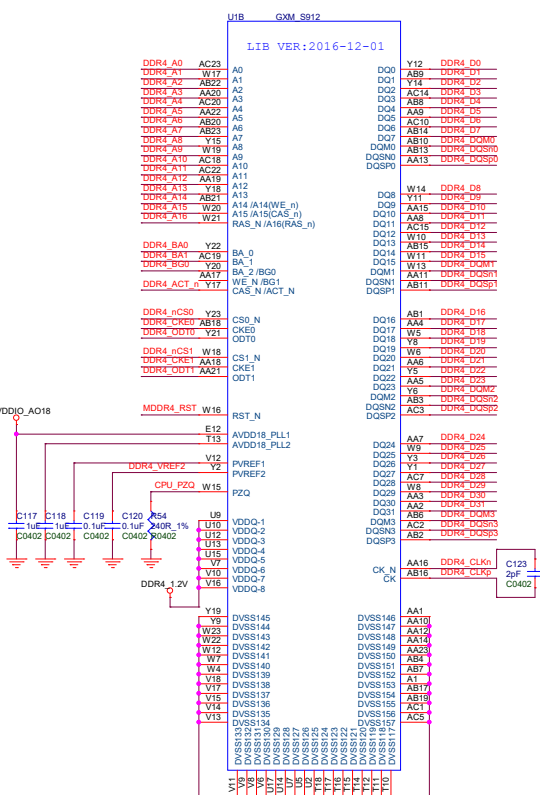
SY6874 Features:
Clamping Output Voltage Threshold
Short-circuit Protection
Thermal Shutdown Protection & Auto Recovery



Shenzhen Wesion Technology Co., Ltd.			
Project:	VIM2		
File:	Power		
Date:	Saturday, July 29, 2017	Rev:	V1.2
Designed by:	Gouwa	Sheet:	3 of 10

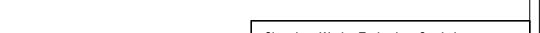
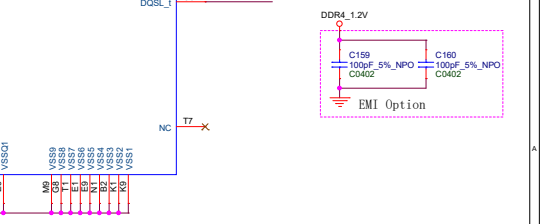
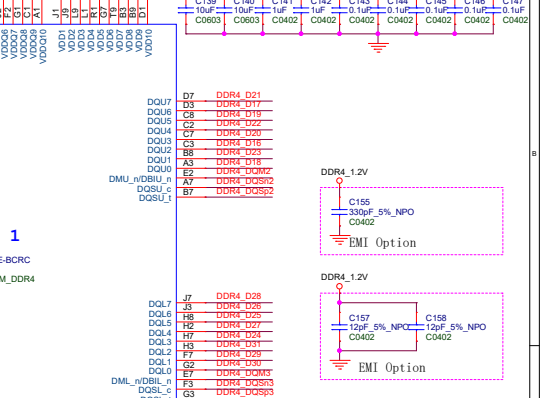
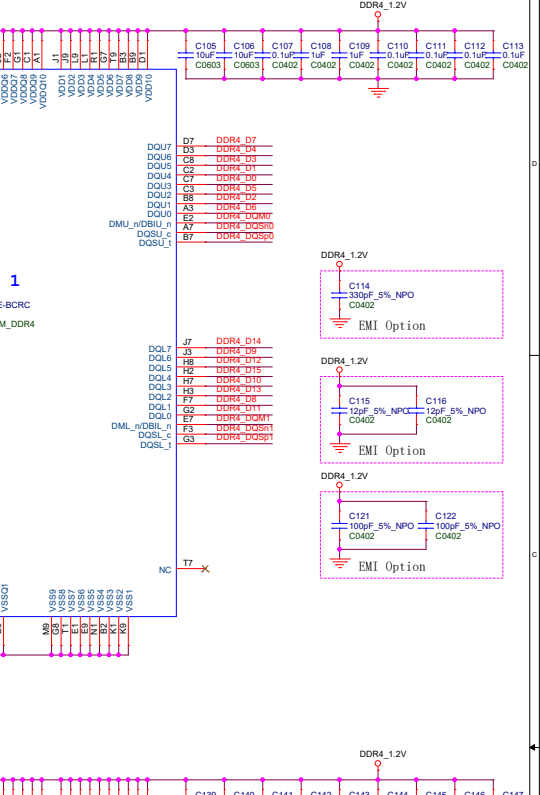
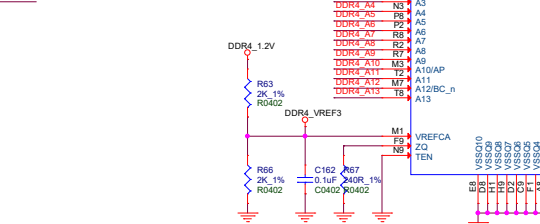
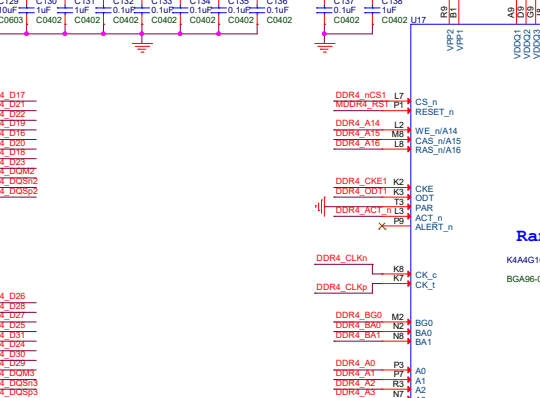
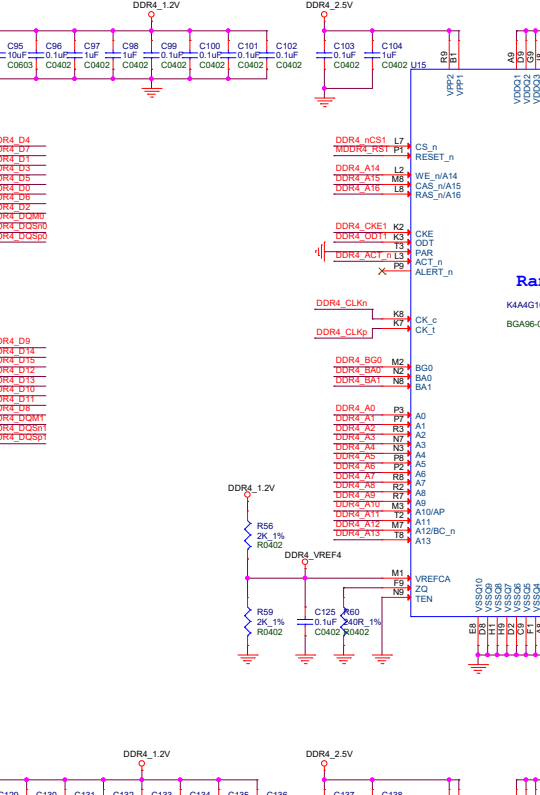
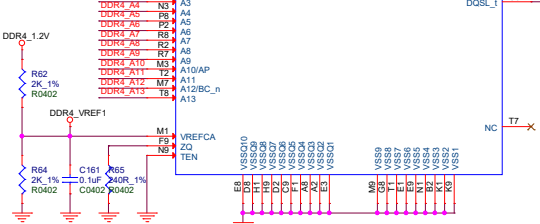
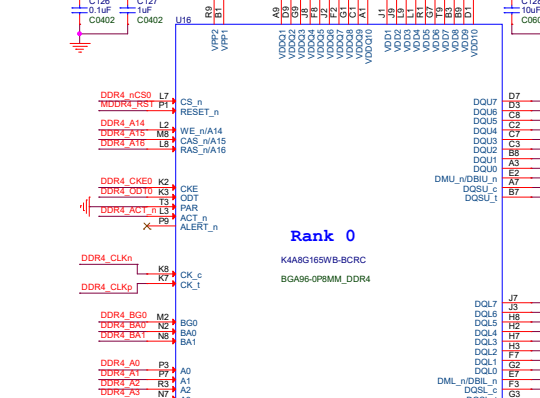
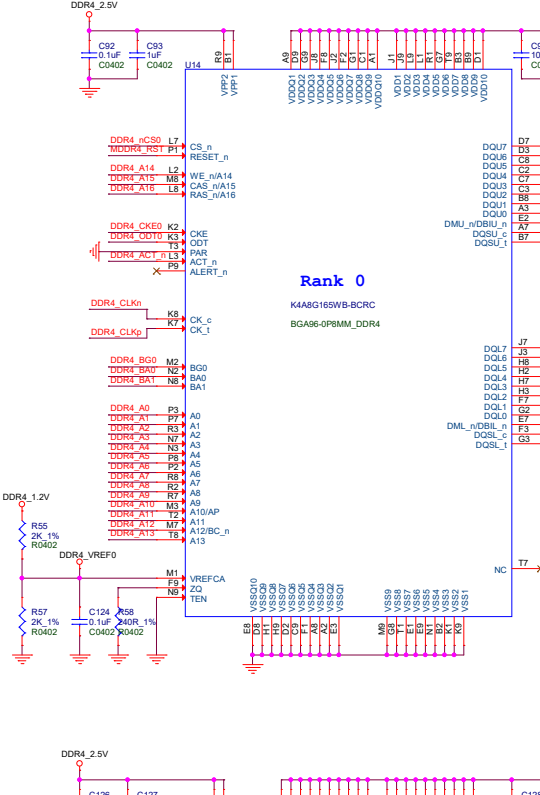


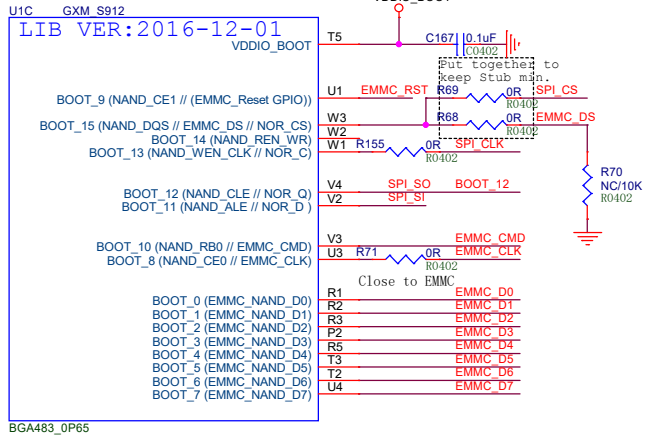
Shenzhen Wesion Technology Co., Ltd.			
Project:	VIM2		
File:	CPU & IR & MCU & KEYS		
Date:	Saturday, July 29, 2017	Rev:	V1.2
Designed by:	Gouwa	Sheet:	4 of 10



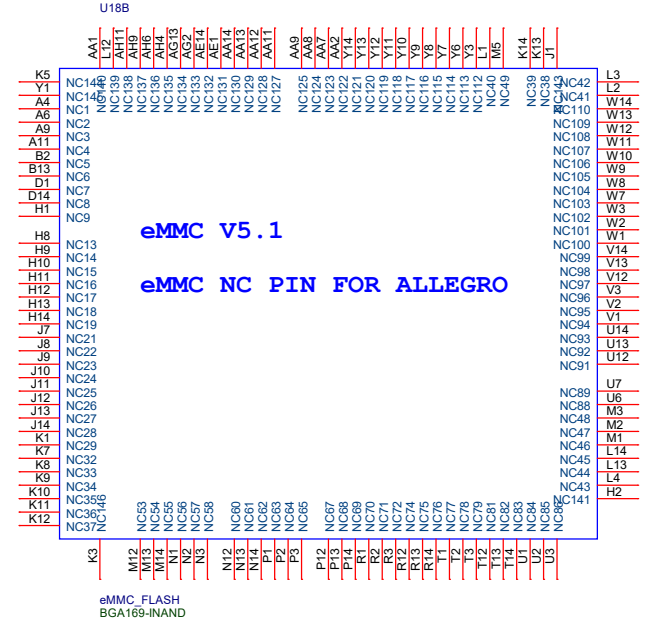
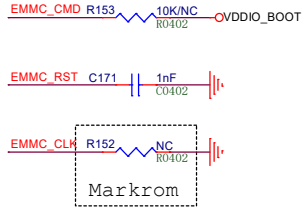
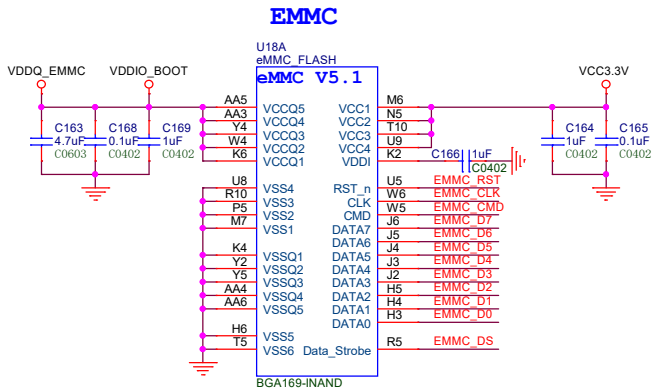
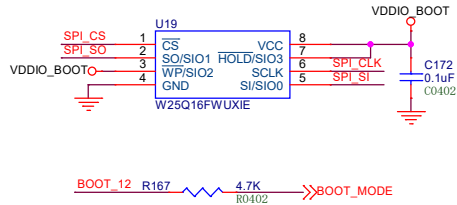
DDR4 Capacity	Rank 0		Rank 1	
	U14	U16	U15	U17
2GB	512MB	512MB	512MB	512MB
3GB	1GB	1GB	512MB	512MB

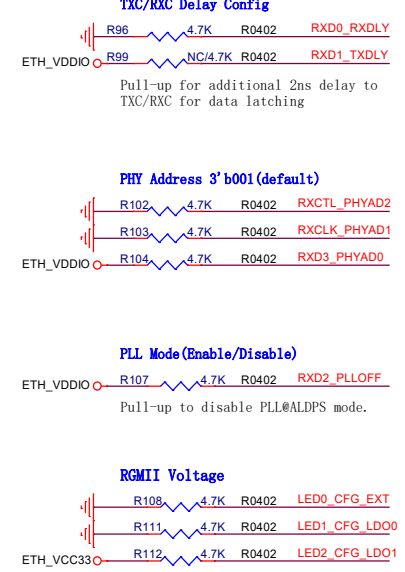
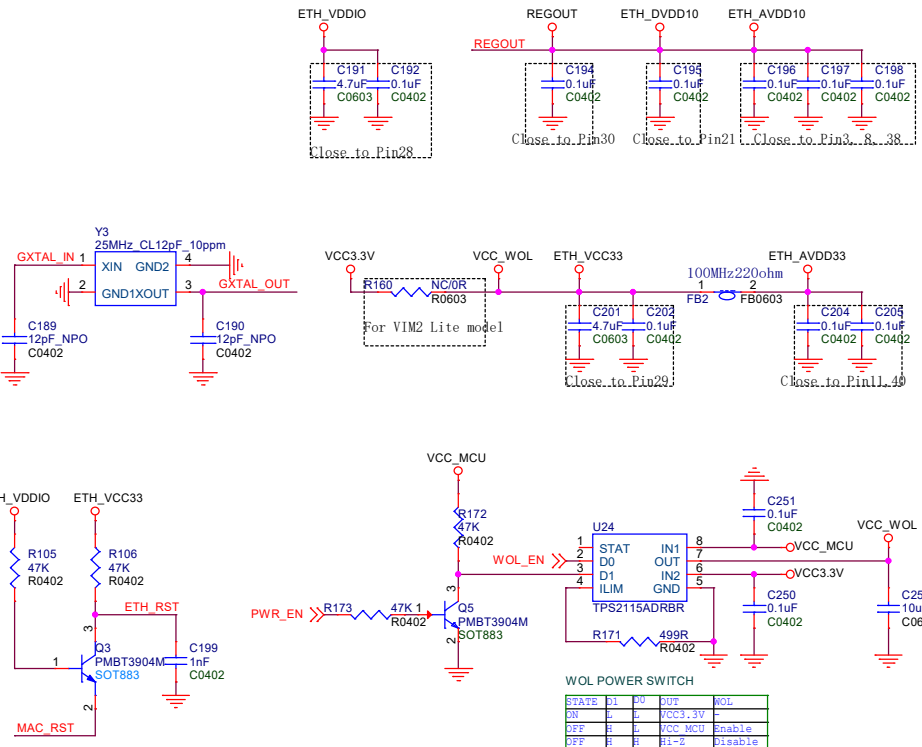
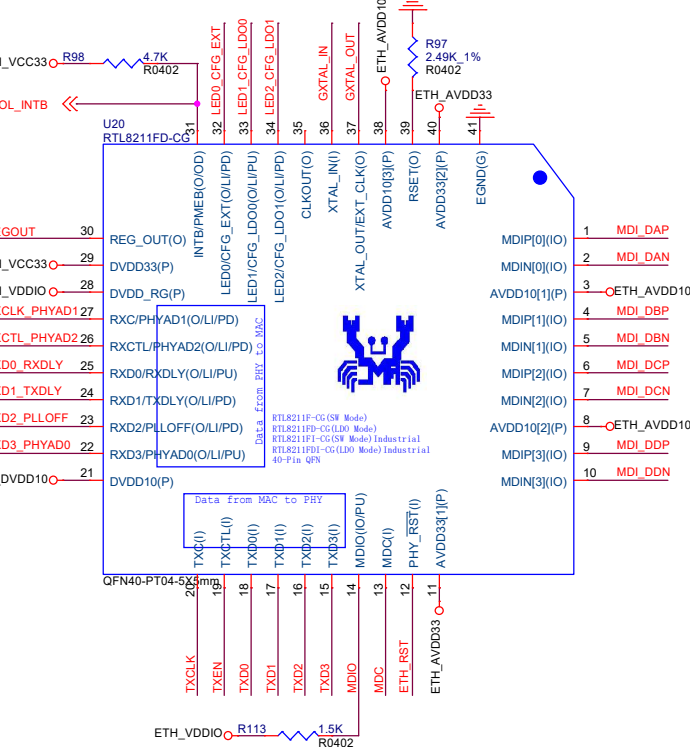
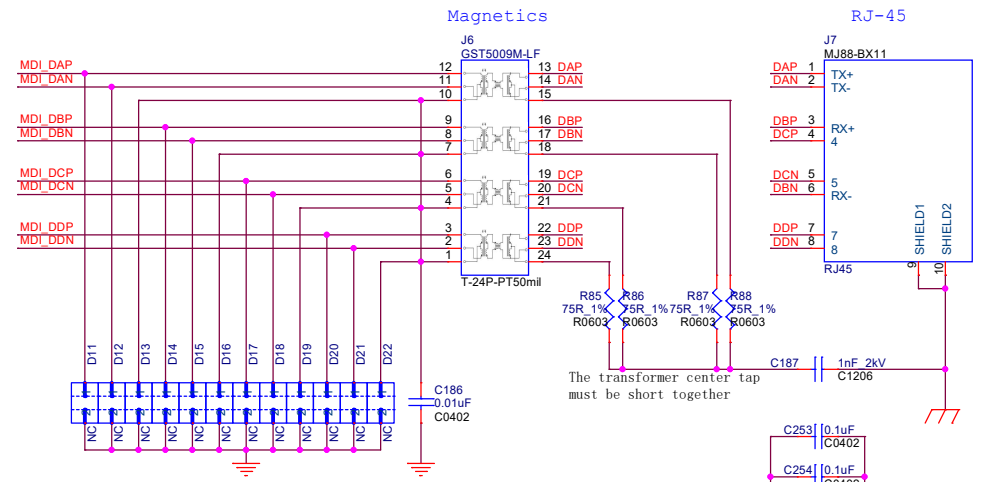
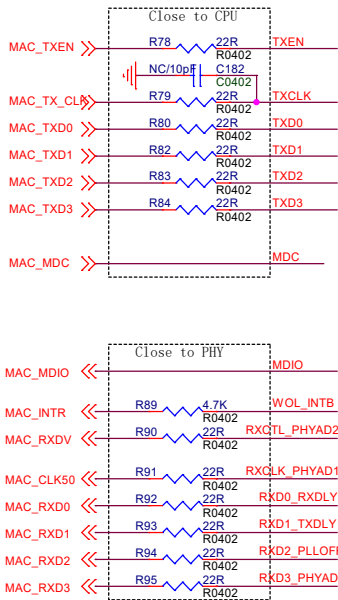
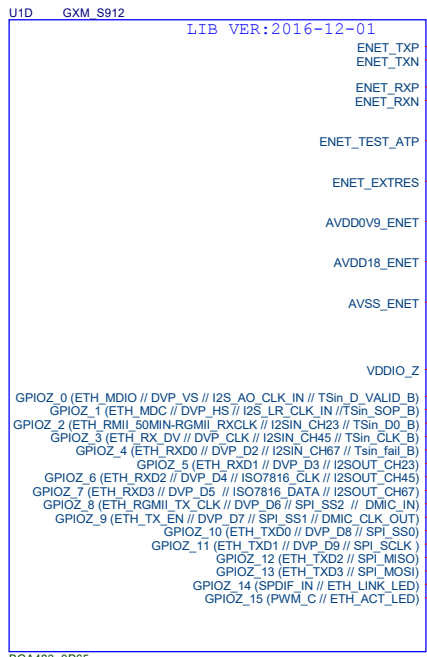
Notice: Schematic is for 3GB DDR4 capacity configuration.

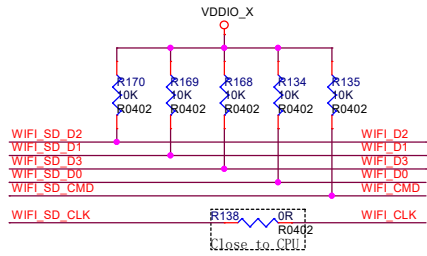
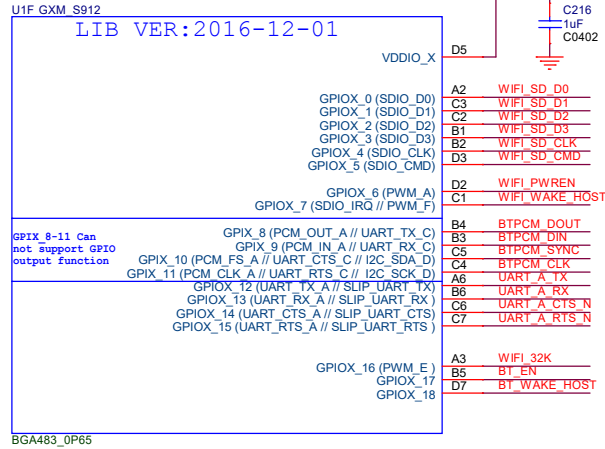




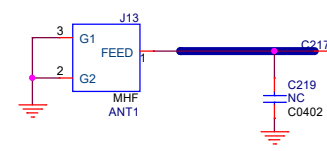
BGA483_0P65



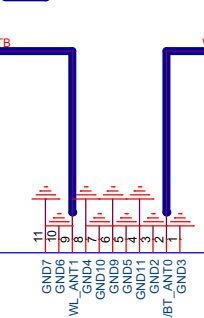




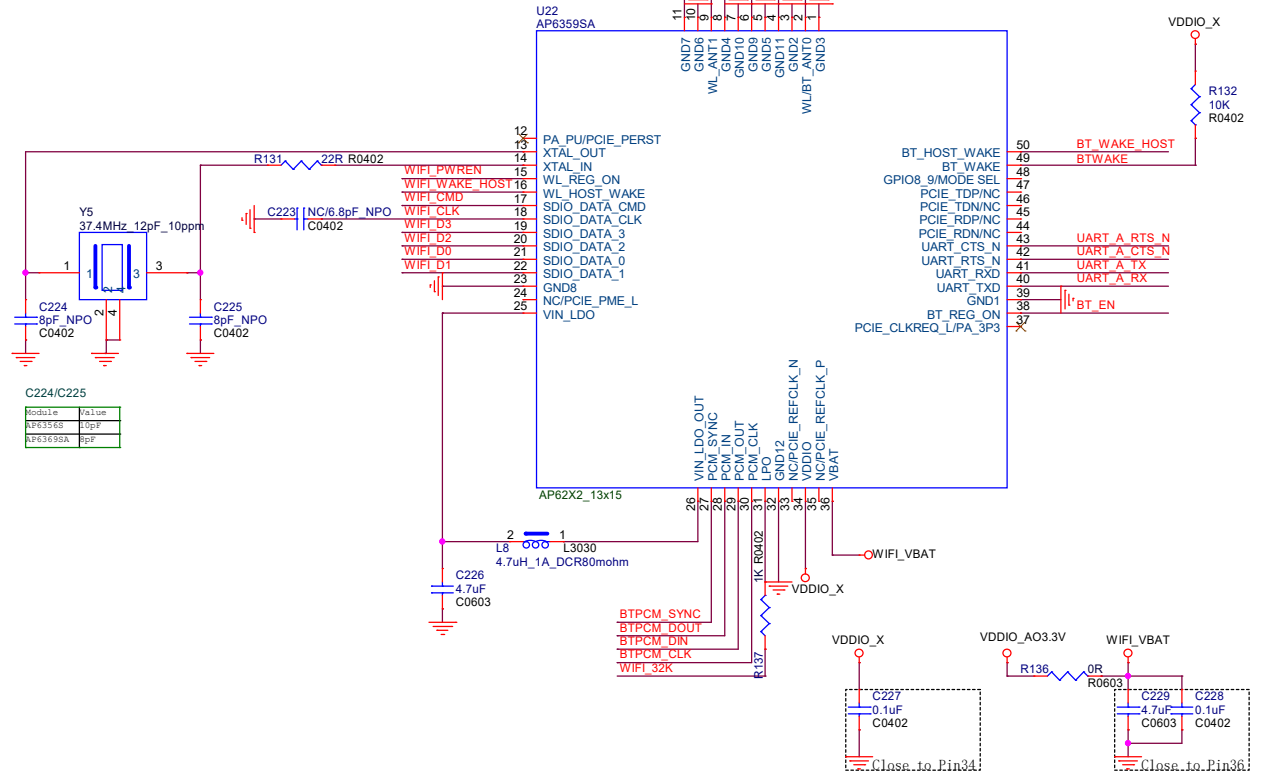
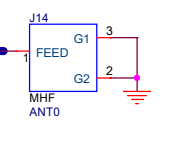
WiFi ANT

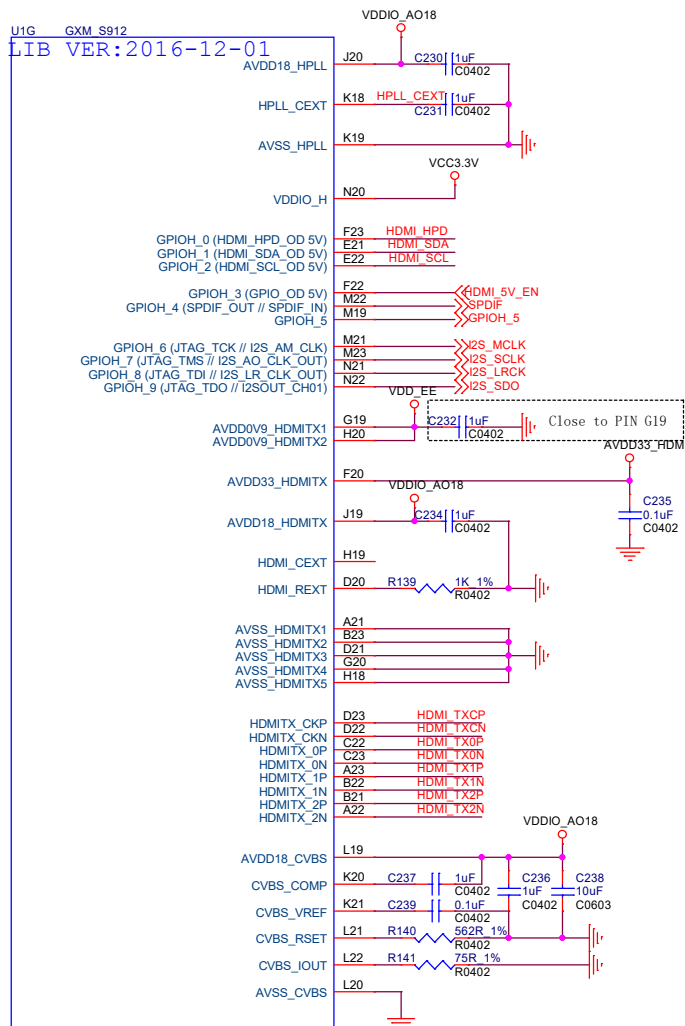


50 ohm impedance RF trace

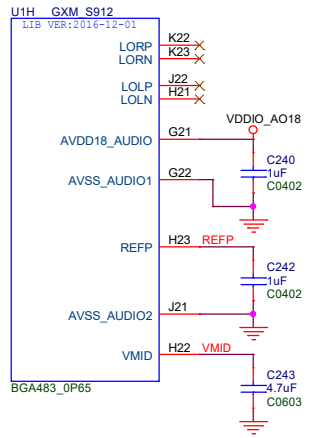


WiFi & BT ANT

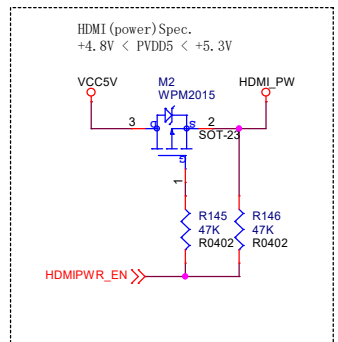
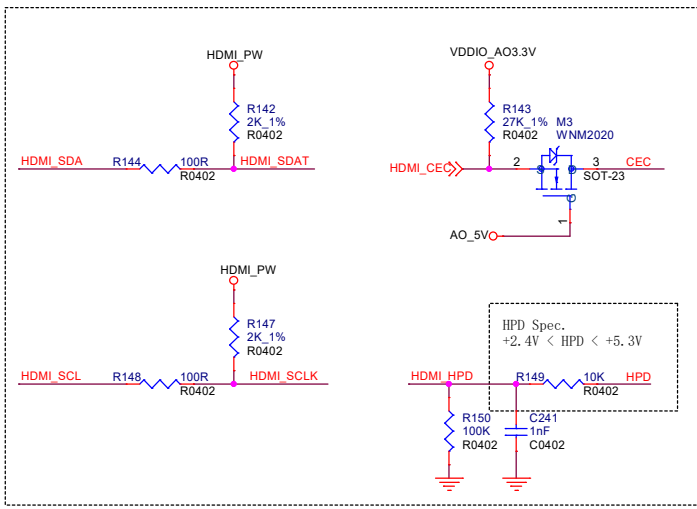
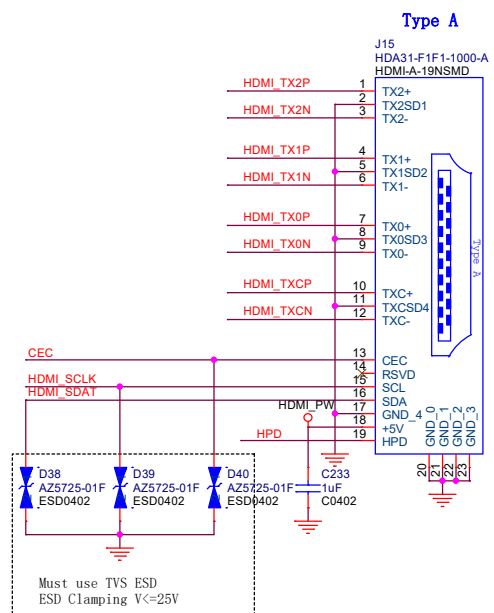
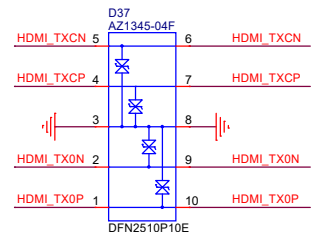
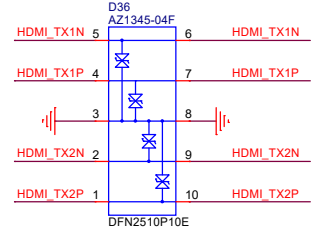




BGA483_0P65



BGA483_0P65



Shenzhen Wesion Technology Co., Ltd.			
Project:	VIM2		
File:	HDMI		
Date:	Saturday, July 29, 2017	Rev:	V1.2
Designed by:	Gouwa	Sheet:	10 of 10