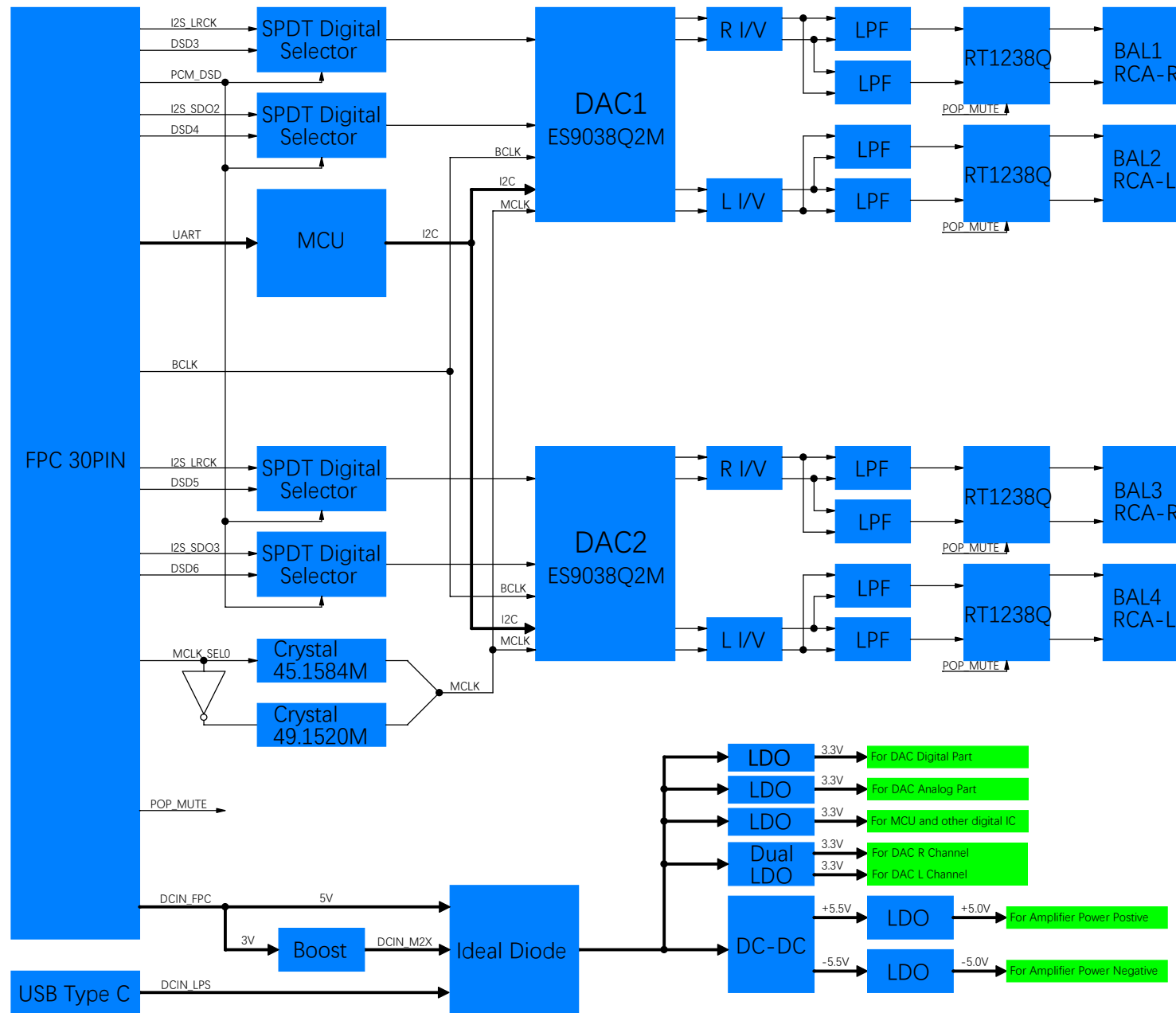




KHADAN

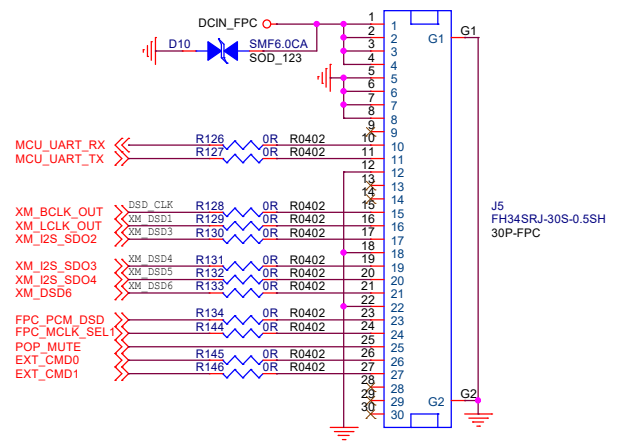
Something a little different.

Khadan Technology Co., Ltd			
<b>Project:</b>	<b>Multichannel Audio Module</b>		
<b>File:</b>	01 Index		
<b>Date:</b>	Thursday, January 04, 2024	<b>Rev:</b>	V11
<b>Designed_by:</b>	Eric	<b>Sheet:</b>	1

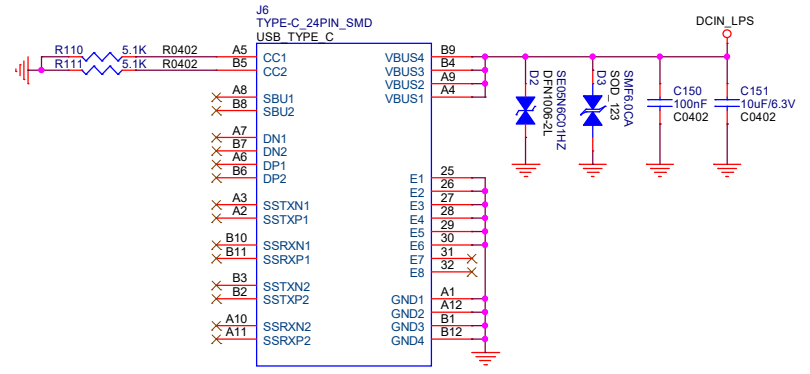


Khadass Technology Co., Ltd			
<b>Project:</b>	Multichannel Audio Module		
<b>File:</b>	02 Block		
<b>Date:</b>	Thursday, January 04, 2024	<b>Rev:</b>	V11
<b>Designed by:</b>	Eric	<b>Sheet:</b>	2

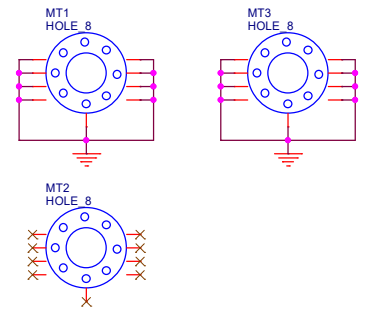
### FPC Input



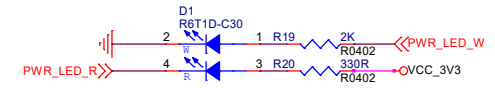
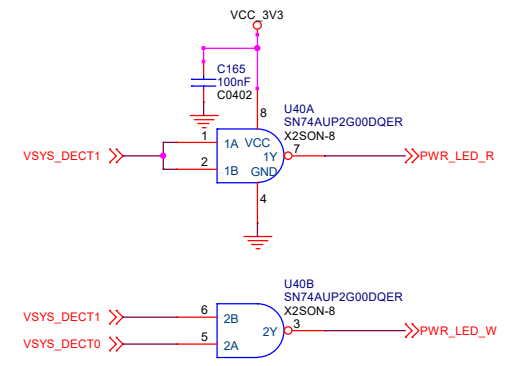
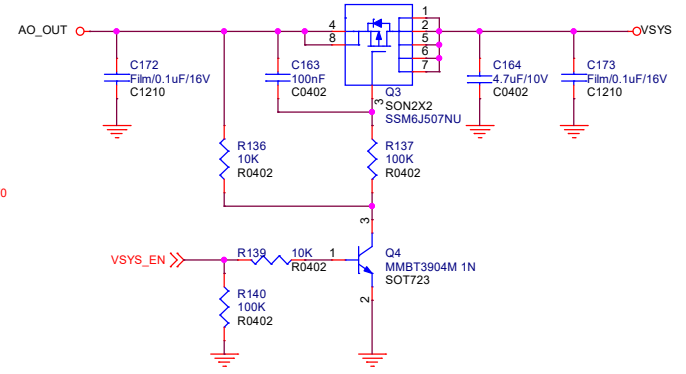
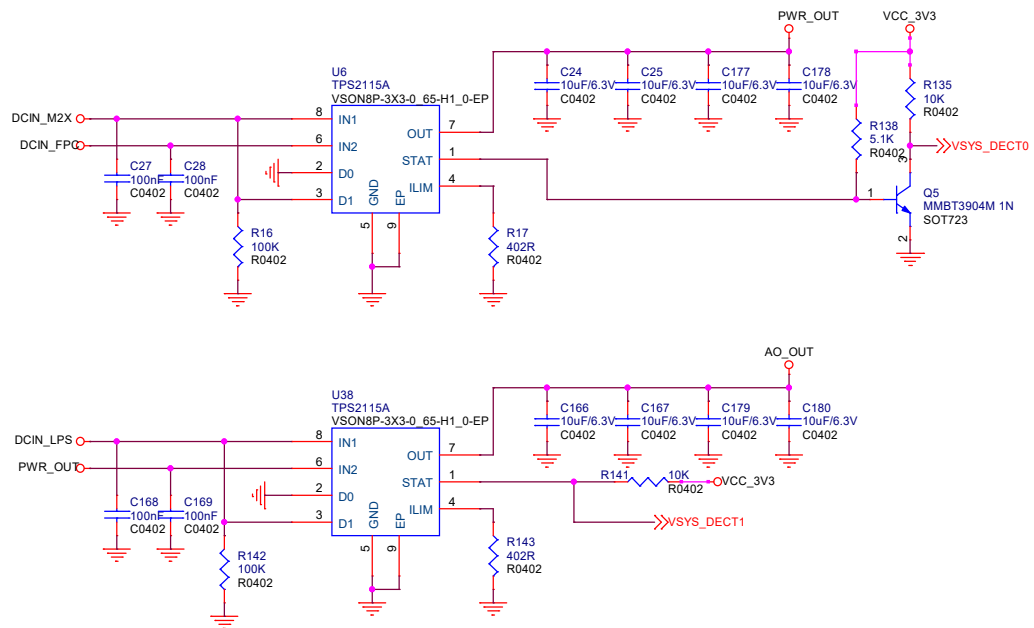
### USB TYPE C Power Input



### Screw Hole



### Power Path Management

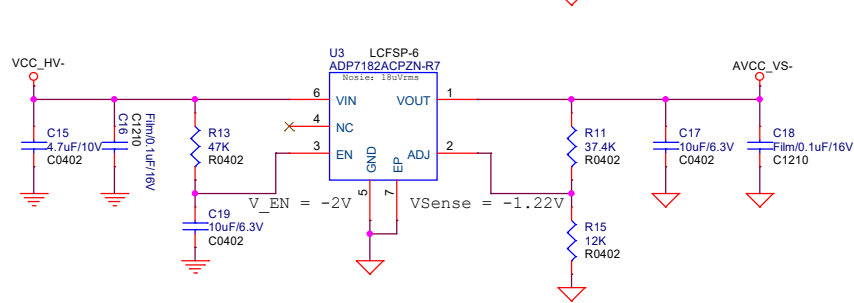
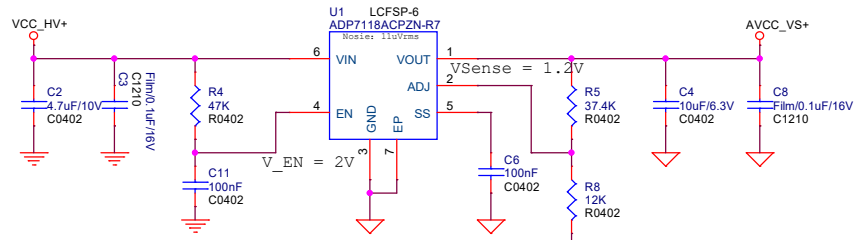
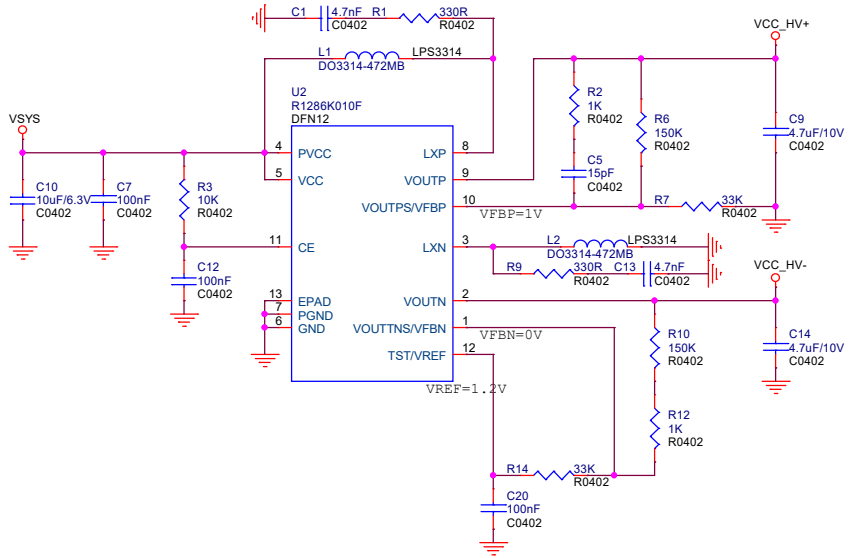


Relationship between RGB and Power

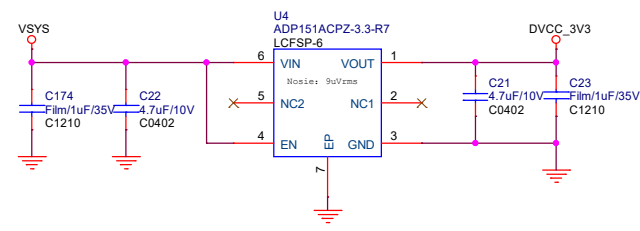
AO_OUT	U1.D1	U2.D1	STAT1	STAT2	VSYS_DECT0	VSYS_DECT1	PWR_LED_R	PWR_LED_W	LED
DCIN_FPC	0	0	H1-Z	H1-Z	0	1	0	1	PINK
DC_M2X	1	0	0	H1-Z	1	1	0	0	RED
DCIN_LPS	0	1	H1-Z	0	0	0	1	1	White
DCIN_LFS	1	1	0	0	1	0	1	1	White

Khadass Technology Co., Ltd			
Project:	Multichannel Audio Module		
File:	03 DC_IN		
Date:	Thursday, January 04, 2024	Rev:	V11
Designed by:	Eric	Sheet:	3

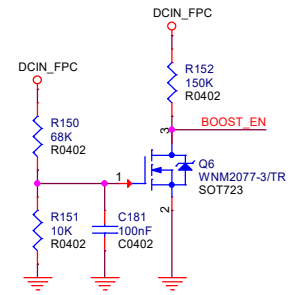
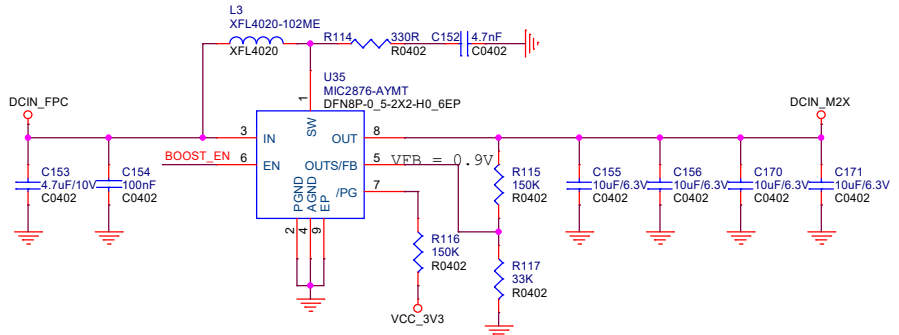
### Amp Power



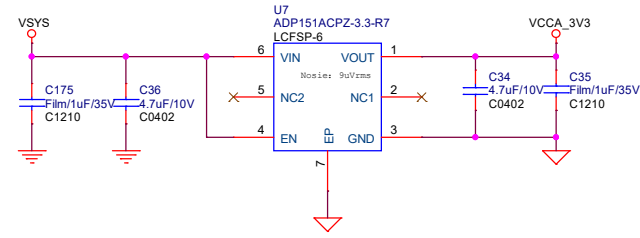
### DAC Digital Power



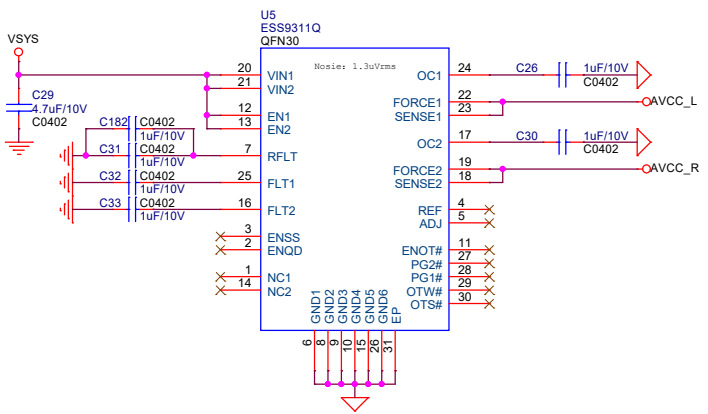
### M2X Power



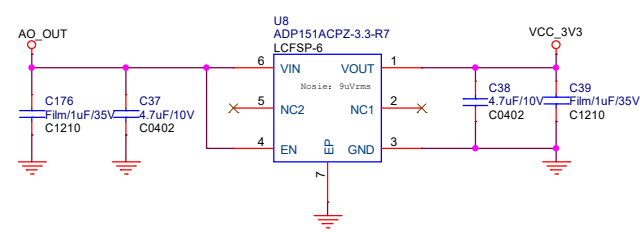
### DAC Analog Power



### DAC Analog R/L Power



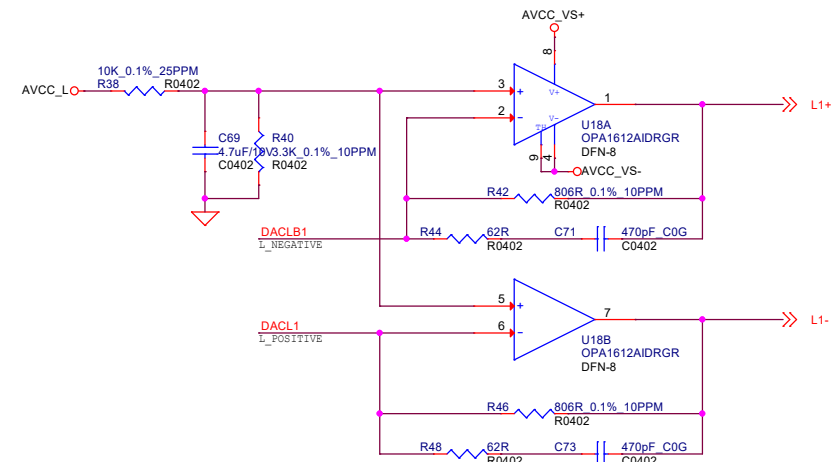
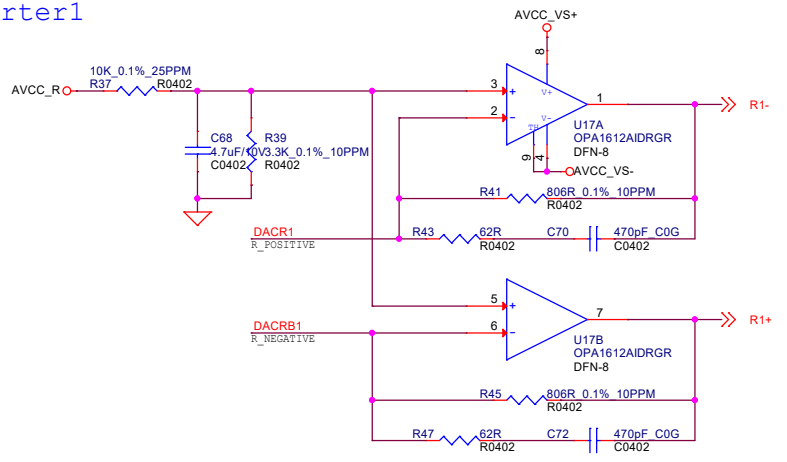
### Digital Power



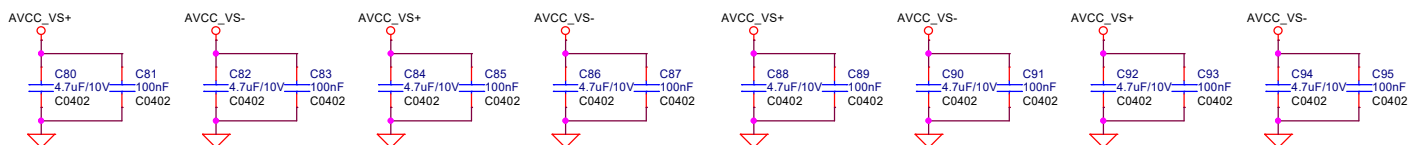
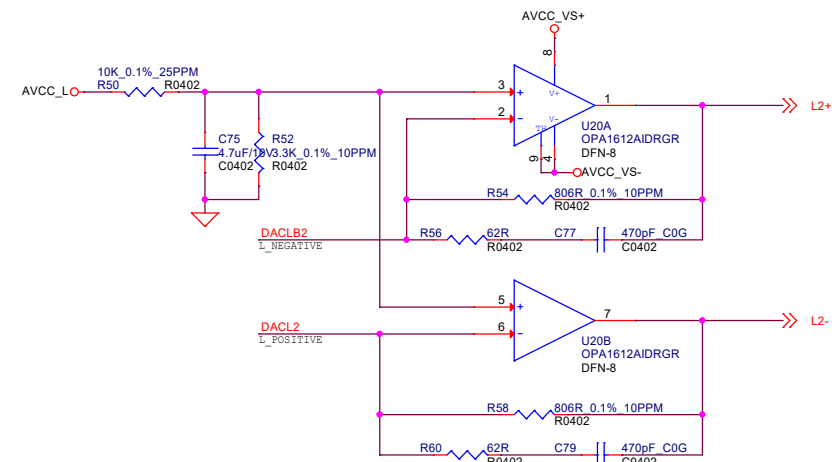
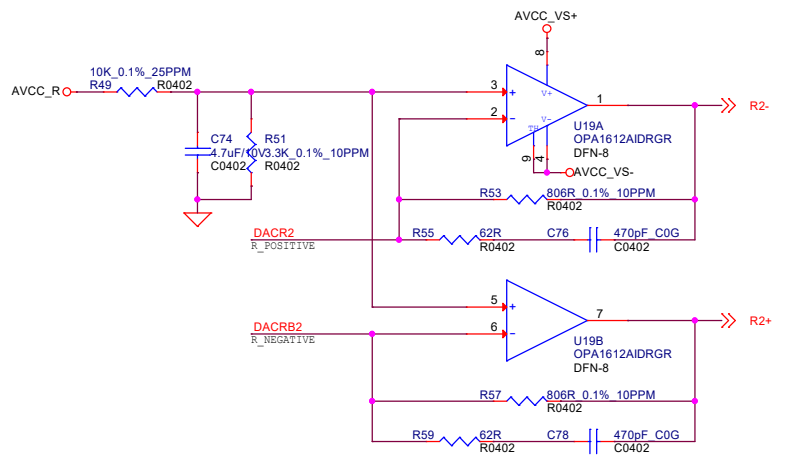
Khadass Technology Co., Ltd			
Project:	Multichannel Audio Module		
File:	04 Power		
Date:	Thursday, January 04, 2024	Rev:	V11
Designed by:	Eric	Sheet:	4



### I/V Converter1



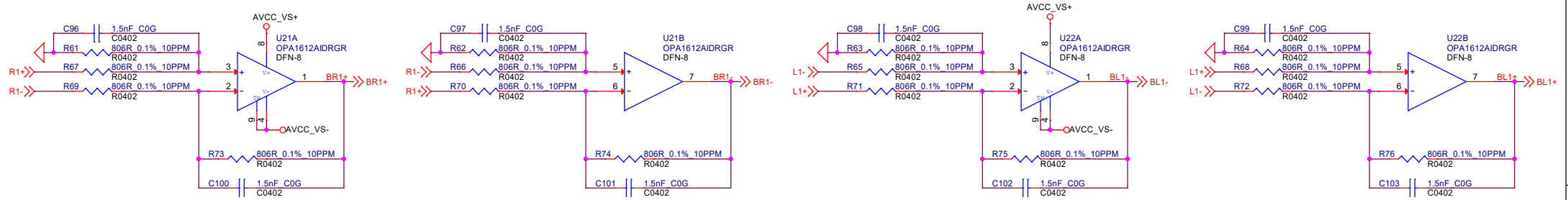
### I/V Converter2



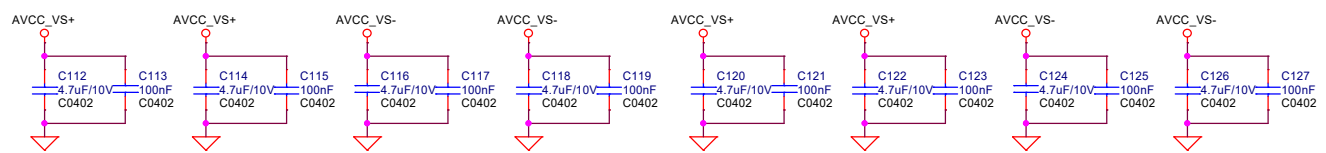
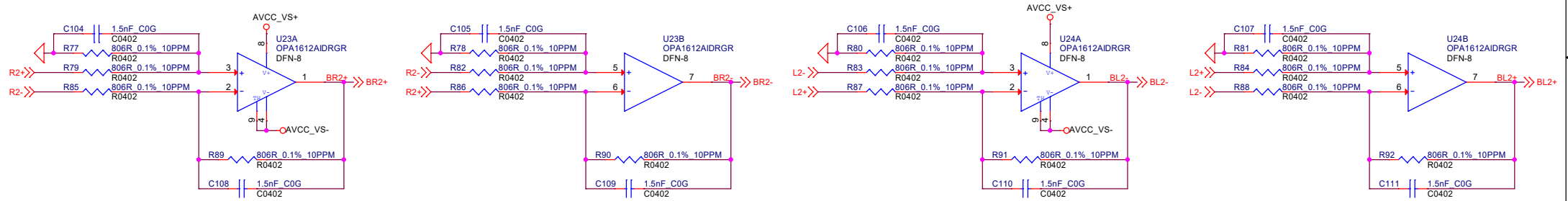
- DAACRB1 >>> DACRB1
- DAACR1 >>> DACR1
- DAACLB1 >>> DAACLB1
- DAACL1 >>> DAACL1
- DAACRB2 >>> DAACRB2
- DAACR2 >>> DAACR2
- DAACLB2 >>> DAACLB2
- DAACL2 >>> DAACL2

Khadass Technology Co., Ltd			
Project:	Multichannel Audio Module		
File:	06 IV		
Date:	Thursday, January 04, 2024	Rev:	V11
Designed by:	Eric	Sheet:	6

Low-Pass Filter1

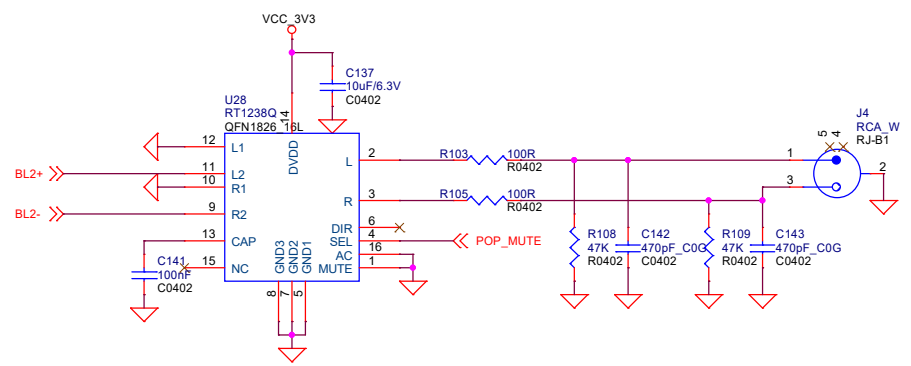
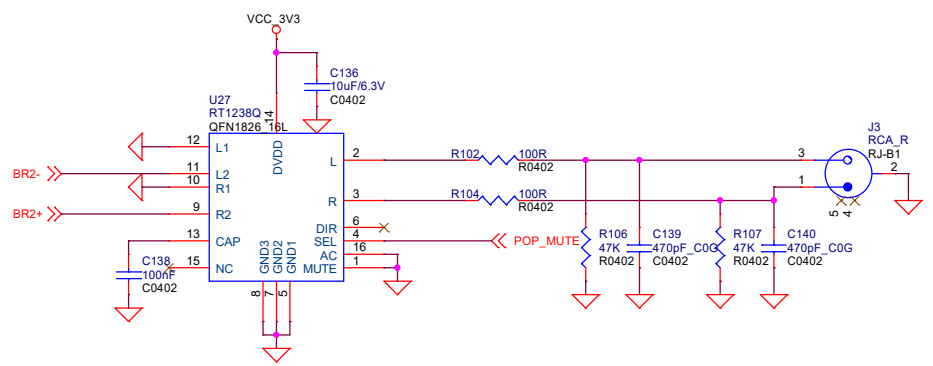
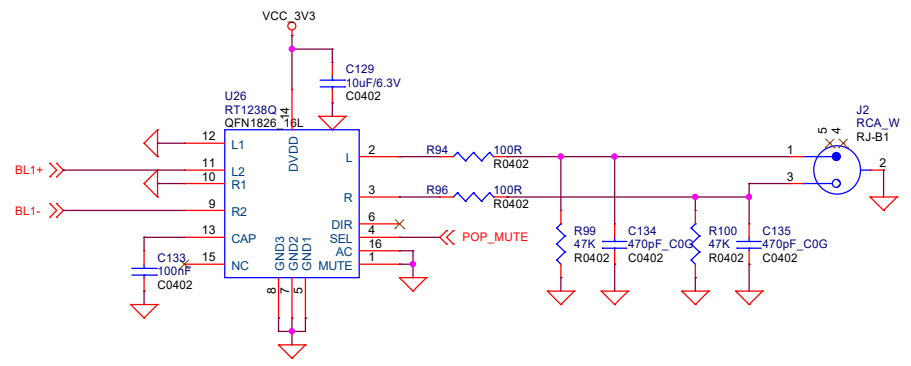
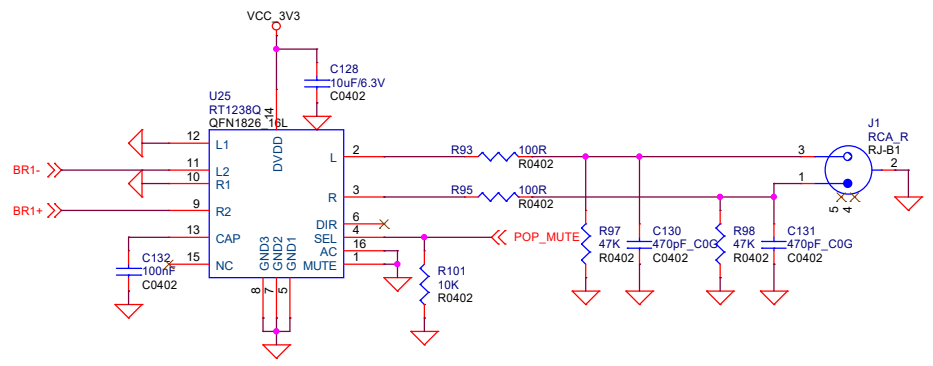


Low-Pass Filter2



Khadass Technology Co., Ltd			
Project:	Multichannel Audio Module		
File:	07 LPF		
Date:	Thursday, January 04, 2024	Rev:	V11
Designed by:	Eric	Sheet:	7

RCA Output



Khadass Technology Co., Ltd			
Project:	Multichannel Audio Module		
File:	08 RCA Output		
Date:	Thursday, January 04, 2024	Rev:	V11
Designed_by:	Eric	Sheet:	8