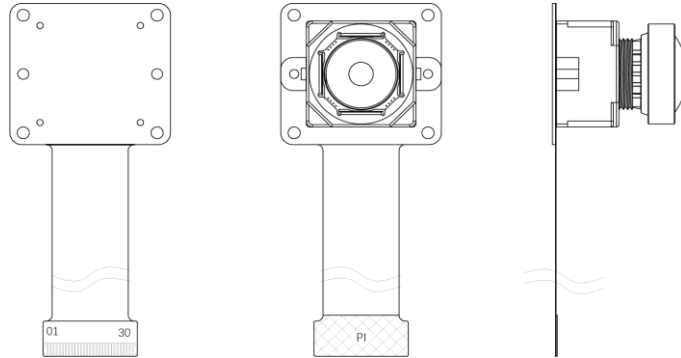




IMX415 Camera



Model

A1019

Overview

The Khadas IMX415 8 megapixel camera, with flexible FPC connector tail.

Highlights

8 megapixels, auto focus, wide angle, minimal optical distortion, HDR support.

Tech Specs

Sensor

Image Sensor	Sony IMX415
Pixels	8.29 million (3840 x 2160)
Maximum Frame Rate	60fps with 12-bit Raw RGB 90fps with 10-bit Raw RGB
Pixel Size	1.45 x 1.45µm
VCM Driver IC	DW9714
HDR	Yes

Lens

Optical Form	1/2.8"
View Angle	D:118.8° H:109.9° V:74.6°
Distortion	<-3.6%
Focal Length	2.02mm
Aperture	F/2.4
Auto Focus	Yes

Connection

Connector	30-pin 0.5mm FPC Connector
Interface	MIPI-CSI, 4-lane

Size

24.0mm(l) / 100.0mm(with FPC) x 26.4mm(w) x 22.17mm(h)

Documentation

Datasheet: <http://dl.khadas.com/products/add-ons/imx415/datasheet/>
 2D DXF Files: <http://dl.khadas.com/products/add-ons/imx415/dxf/>
 Photos: <http://dl.khadas.com/products/add-ons/imx415/photos/>

Warranty [1]

1 year limited hardware warranty

Compatibility

Khadas Edge2
 Khadas VIM4
 Khadas VIM3

In the Box

IMX415 Camera Module x1

[1] Khadas does not warrant against normal wear and tear, nor damage caused by accident or abuse.