



KHADASS

Something a little different.

Shenzhen Wesion Technology Co., Ltd.			
Project:	Edge2_IO		
File:	Khadass		
Date:	Thursday, November 17, 2022	Rev:	V12
Designed_by:	Totti	Sheet:	0

Edge2 →

30P FPC
EXTIO 1

SD Card

GPIO Header

Headphone

Edge2 →

30P FPC
EXTIO 2

Codec
ES8316

AMIC

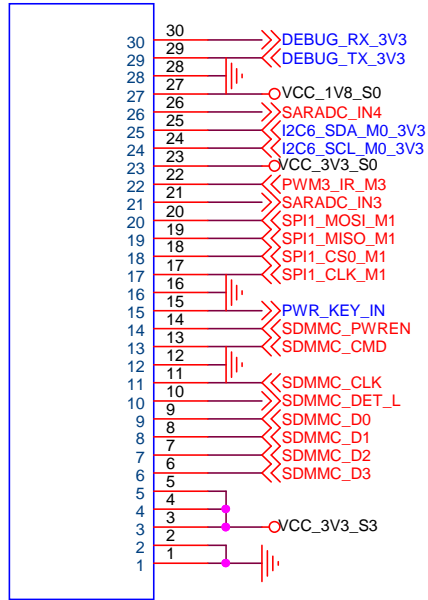
Connector
USB

SPK1

SPK2

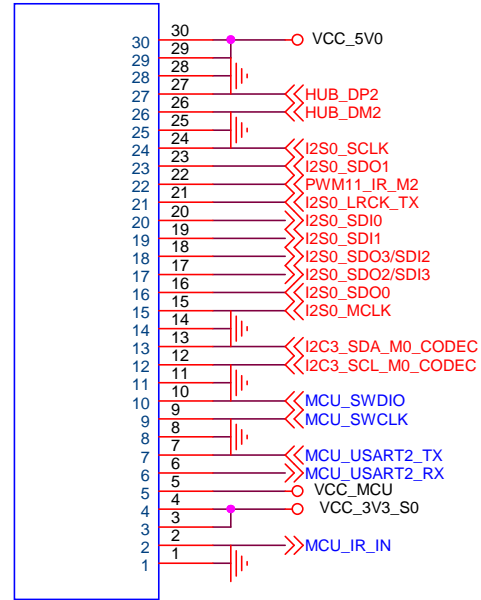
Shenzhen Wesion Technology Co., Ltd.			
Project:	Edge2_IO		
File:	Block		
Date:	Thursday, November 17, 2022	Rev:	V12
Designed_by:	Totti	Sheet:	1

EXTIO 1

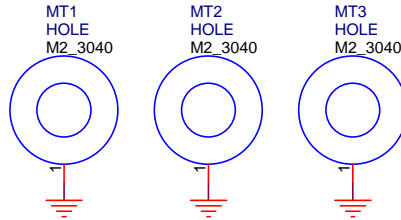
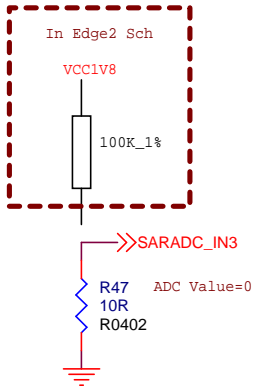


CON1
30P_GF
GF-0_5-30P-TOP

EXTIO 2

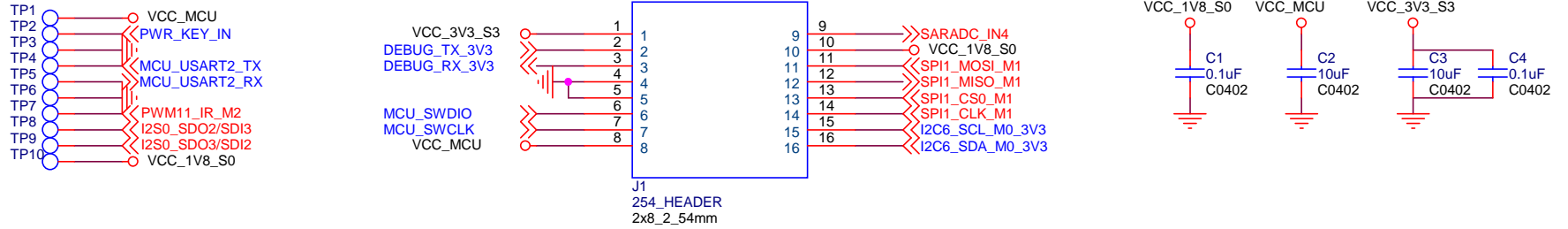


CON2
30P_GF
GF-0_5-30P-TOP

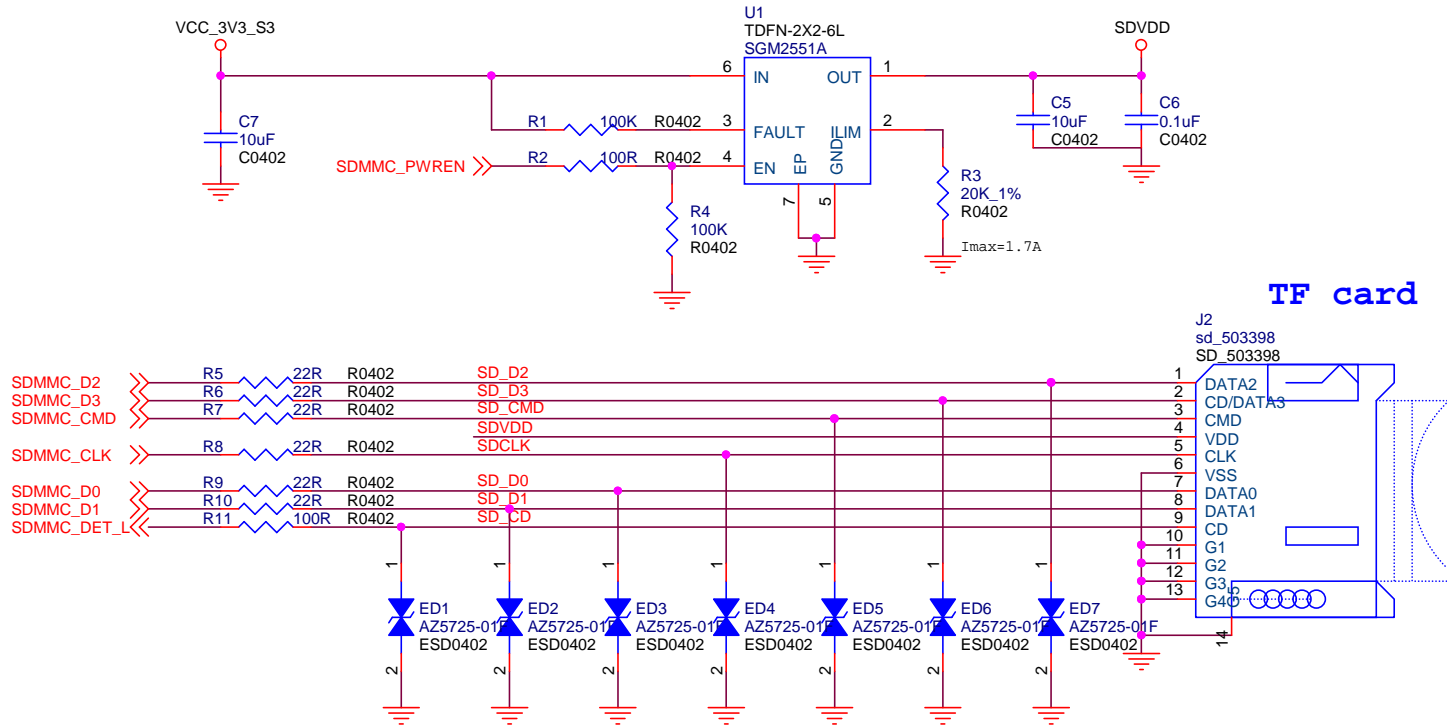


Shenzhen Wesion Technology Co., Ltd.			
Project:	Edge2_IO		
File:	EXT IO From Edge2		
Date:	Tuesday, November 29, 2022	Rev:	V12
Designed_by:	Totti	Sheet:	2

GPIO Header

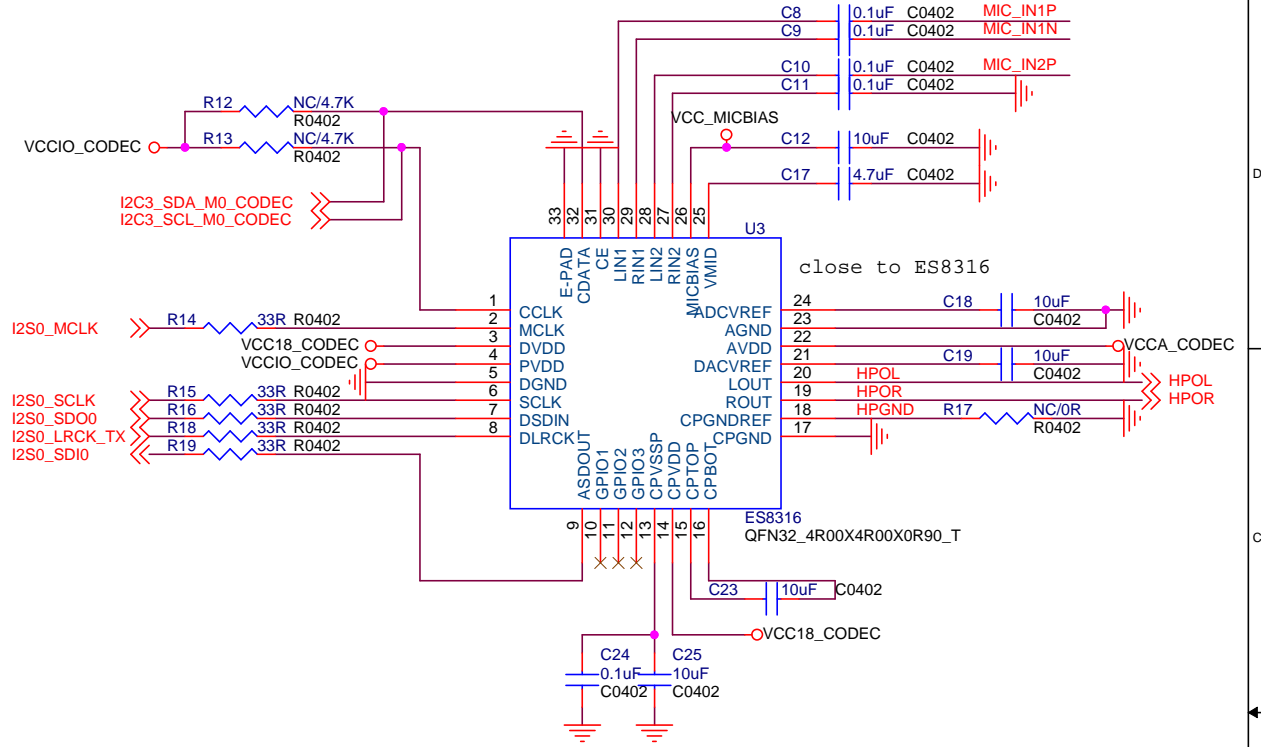
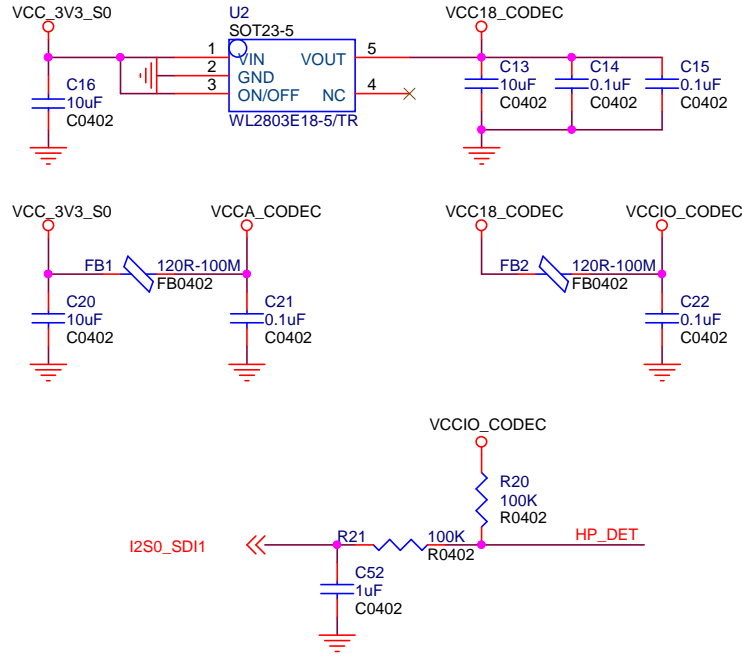


TF Card

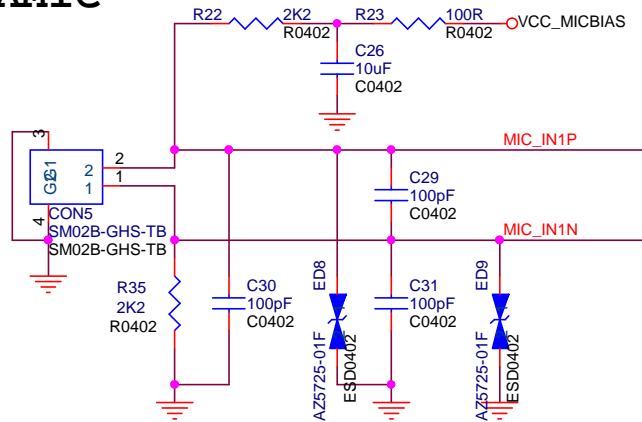


Shenzhen Wesion Technology Co., Ltd.			
Project:	Edge2_IO		
File:	IO/SD Card		
Date:	Thursday, November 17, 2022	Rev:	V12
Designed_by:	Totti	Sheet:	3

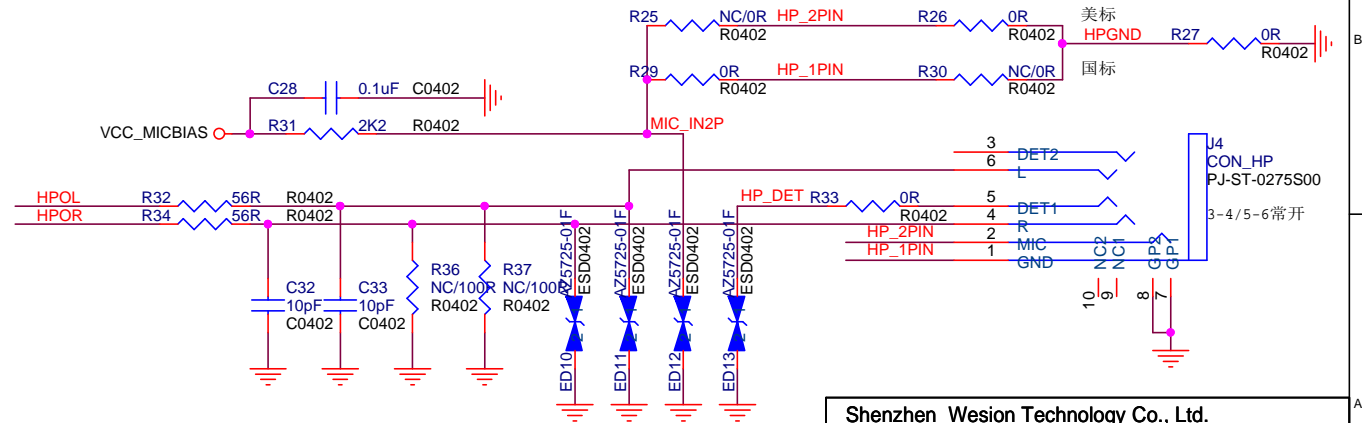
Codec



AMIC

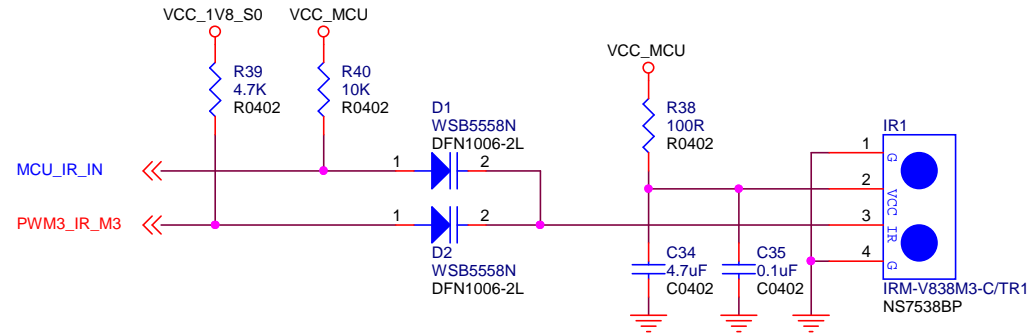


Headphone

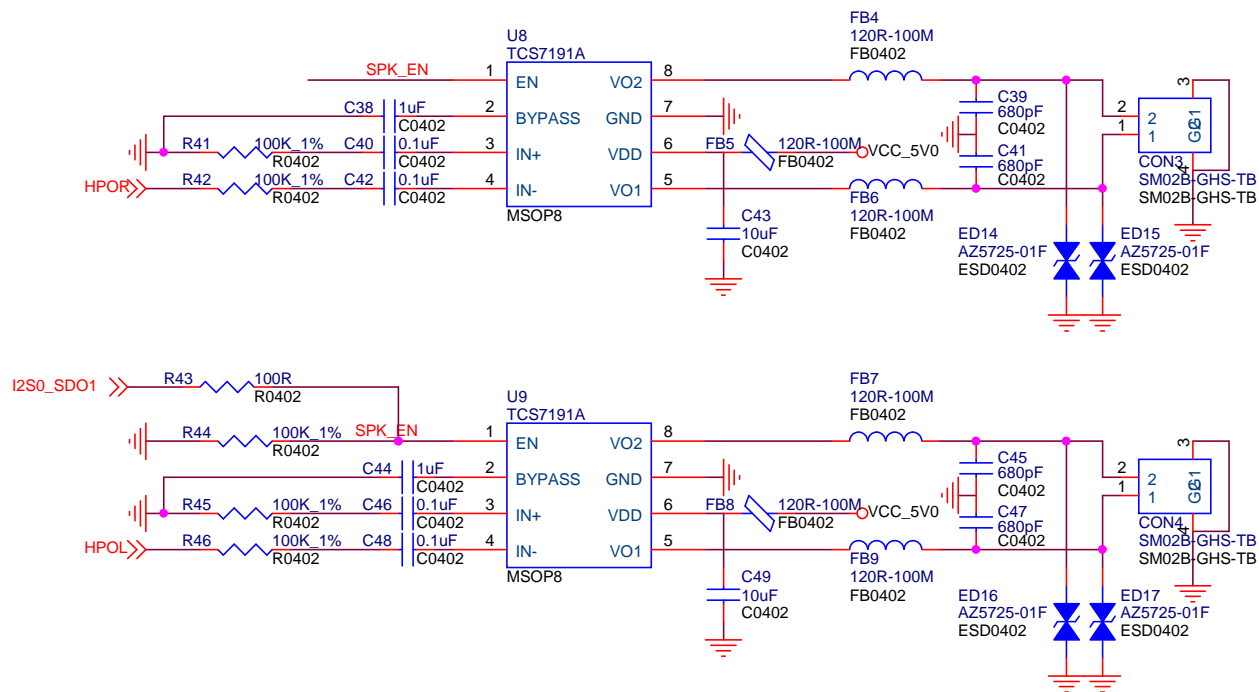


Shenzhen Wesion Technology Co., Ltd.			
Project:	Edge2_IO		
File:	Codec		
Date:	Tuesday, November 22, 2022	Rev:	V12
Designed_by:	Totti	Sheet:	4

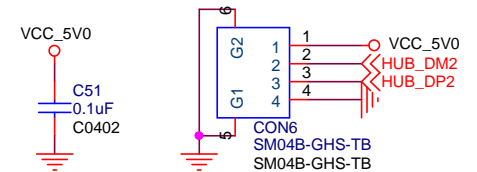
IR



Amplifier



USB FOR DMIC Array



Shenzhen Wesion Technology Co., Ltd.

Project:	Edge2_IO		
File:	IR/AMP/USB		
Date:	Thursday, November 17, 2022	Rev:	V12
Designed_by:	Totti	Sheet:	5